

**Series: VENTILATION UNIT VF flat**  
with FISCHBACH COMPACT FAN  
Type CFE

**FISCHBACH**  
Luft- und Ventilatorentechnik GmbH

**Type: VF 101 CFE6-740/E25**

**ERP KONFORM**



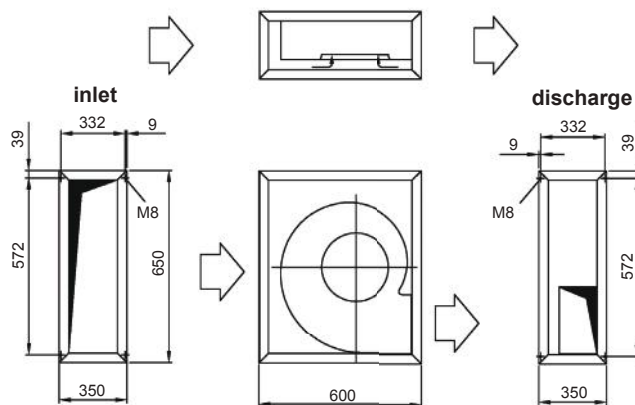
**manufacturer:**

Fischbach Luft- und Ventilatorentechnik GmbH  
Am Hellerberg 22-24  
D-57290 Neunkirchen  
phone:  
telefax:  
internet:  
email:

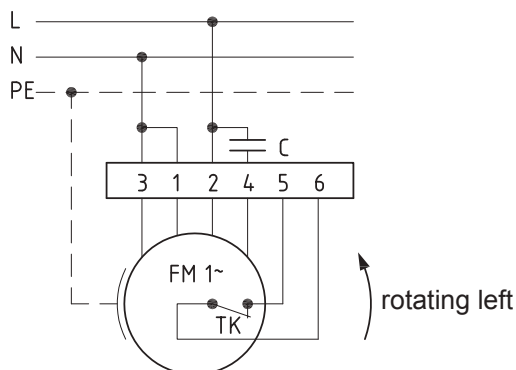
++49(0)2735/777-0  
++49(0)2735/770-133  
www.fischbach-luft.de  
info@fischbach-luft.de

**Technical Data**

weight:	(kg)	38
material housing:	aluminum/plastic steel, galvanized	
material impeller:	steel, galvanized	
direction of rotation:	left	
motor protection class:	IP 65	
insulation class:	F	
motor protection:	thermal contact	



**connection plan**  
0.11-1 I.



**100%  
controllable**



the silent one

**Series: VENTILATION UNIT VF flat**  
with FISCHBACH COMPACT FAN  
Type CFE

**FISCHBACH**  
Luft- und Ventilatorentechnik GmbH

## Type: VF 101 CFE6-740/E25

Erp 2015 x 2016 2018

### Performance data

main voltage:	(V)	230 (1~)
frequency:	(Hz)	50
current max.:	(A)	3,0
power input max.:	(kW)	0,62
air flow volume max.:	(m³/h)	2074
statical pressure max.:	(Pa)	489
speed max.:	(rpm)	1437
supply air temperature:	(°C)	-20... +60
capacitor:	(µF)	16

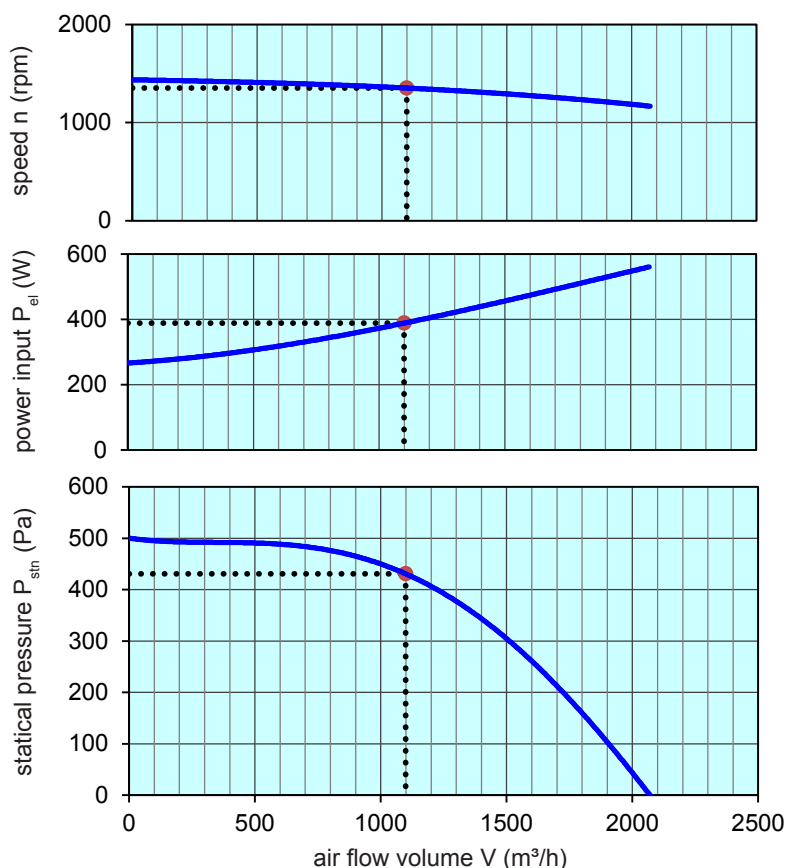
### ErP-Data:

total efficiency fan ( $\eta_e$ ):	(%)	35,1
installation category:		A
efficiency category:		static
efficiency grade: N	(%)	40
target efficiency ( $\eta_{target}$ ):	(%)	35,0
speed controller		no
year of manufacturing		since 2015
manufacturer:	Fischbach Luft- und Ventilatorentechnik GmbH D-57290 Neunkirchen / HRB 5804 Siegen	
order no.		58312010
power input:	(kW)	0,38
air flow volume:	(m³/h)	1110
statical pressure:	(Pa)	433
speed:	(rpm)	1352
specific ratio:		1

disassembling/recycling/disposal: see page decommission

installation/operation/maintenance: see operating and mounting instructions

measurement for determination of efficiency without additional items



**Speed controller / accessories / sound data**, please see in the appropriate table

Technical documentation according to page: **General information**