

Series: EASY-BOX FEB
with Freewheeling impeller with
backward curved blades **EC-MOTOR**

FISCHBACH

Luft- und Ventilatorentechnik GmbH

Type: FEB560/DM2.5

ERP KONFORM



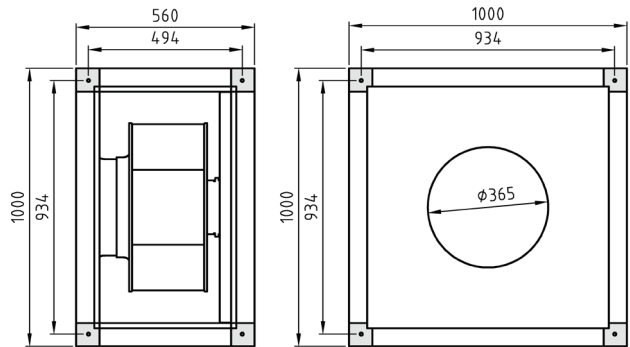
manufacturer:

Fischbach Luft- und Ventilatorentechnik GmbH
Am Hellerberg 22-24
D-57290 Neunkirchen
phone:
telefax:
internet:
email:

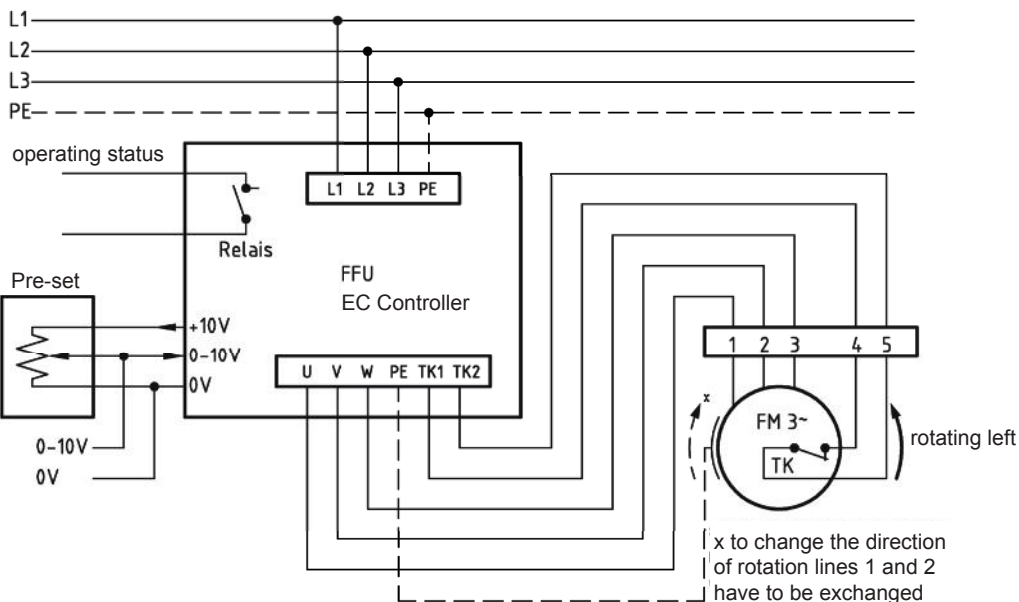
++49(0)2735/777-0
++49(0)2735/770-133
www.fischbach-luft.de
info@fischbach-luft.de

Technical Data

| | | |
|-------------------------|------|---------------------------------------|
| weight: | (kg) | ca.70 |
| material housing: | | aluminum/plastic steel, galvanized |
| material impeller: | | steel, galvanized |
| direction of rotation: | | left |
| motor protection class: | | IP 65 |
| insulation class: | | F |
| motor protection: | | thermal contact |

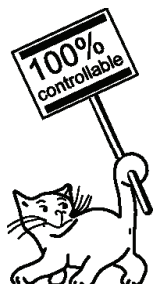


**connection plan
FFU-EC 400**



* Connection only according to the enclosed technical documentation.

the silent one



Series: EASY-BOX FEB
 with Freewheeling impeller with
 backward curved blades **EC-MOTOR**

FISCHBACH
 Luft- und Ventilatorentechnik GmbH

Type: FEB560/DM2.5

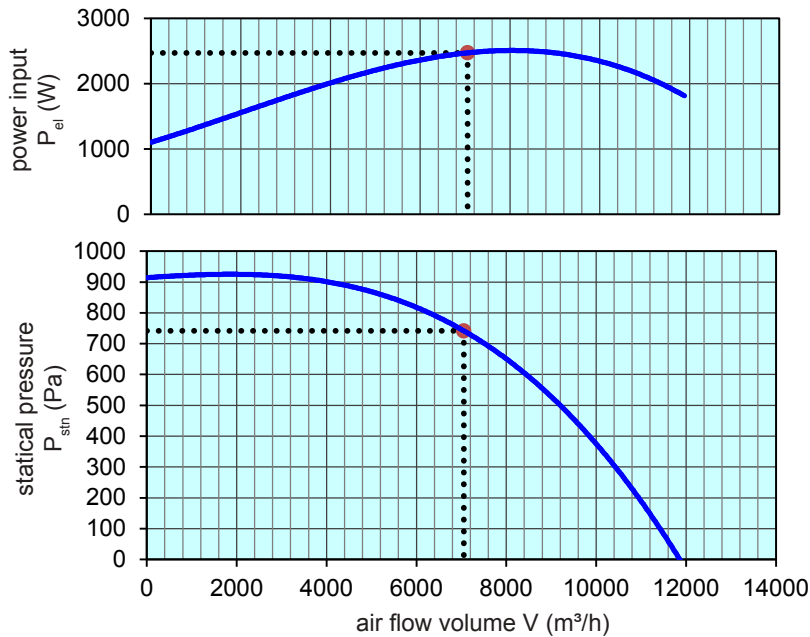
ErP 2013 2015 2018 x

Performance data

| | | |
|---------------------------|--------|----------|
| main voltage: | (V) | 400 (3~) |
| frequency: | (Hz) | 50 |
| current max.: | (A) | 4,9 |
| power input max.: | (kW) | 2,52 |
| air flow volume max.: | (m³/h) | 11884 |
| statical pressure max.: | (Pa) | 908 |
| speed max.: | (rpm) | 1425 |
| max. air flow temperature | (°C) | 80 |
| max. ambient temperature | (°C) | 30 |
| capacitor: | (µF) | - |

ErP-Data:

| | | |
|--|--------|------------|
| total efficiency fan (η_e): | (%) | 62,5 |
| installation category: | | A |
| efficiency category: | | static |
| efficiency grade: N | (%) | 62 |
| target efficiency (η_{target}): | (%) | 55,6 |
| speed controller | | yes |
| year of manufacturing | | since 2015 |
| manufacturer: Fischbach Luft- und Ventilatorentechnik GmbH D-57290 Neunkirchen / HRB. 5804 Siegen | | |
| order no. (left) | | |
| power input: | (kW) | 2,47 |
| air flow volume: | (m³/h) | 7055 |
| statical pressure: | (Pa) | 742 |
| speed: | (rpm) | 1425 |
| specific ratio: | | 1 |
| disassembling/recycling/disposal: see page decommission | | |
| installation/operation/maintenance: see operating and mounting instructions | | |
| measurement for determination of efficiency without additional items | | |



| control with | type | order-Nr. |
|--|-------------|-----------|
| FISCHBACH-EC-controller | FFU3-21-7,5 | 63770 |
| FISCHBACH-Pre-set 0-10V (optional accessories) | FS 10 | 69460 |

Technical documentation according to page: **General information**