

Series: COMPACT-FAN Type CE
 single inlet
 with forward curved blades

FISCHBACH
 Luft- und Ventilatorentechnik GmbH

Type: CE670/E15

ERP KONFORM

CE -conform

UK
CA



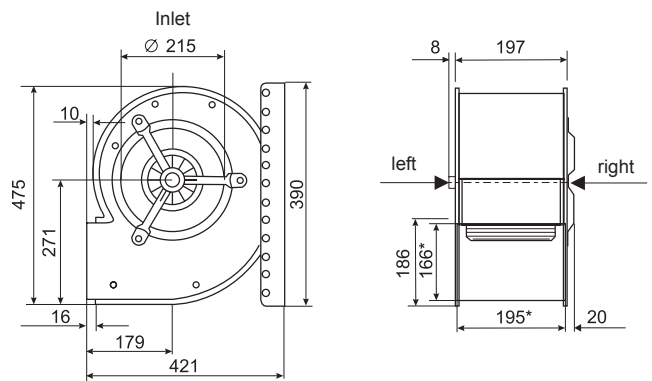
manufacturer:

Fischbach Luft- und Ventilatorentechnik GmbH
 Am Hellerberg 22-24
 D-57290 Neunkirchen
 phone:
 telefax:
 internet:
 email:

++49(0)2735/777-0
 ++49(0)2735/770-133
 www.fischbach-luft.de
 info@fischbach-luft.de

Technical Data

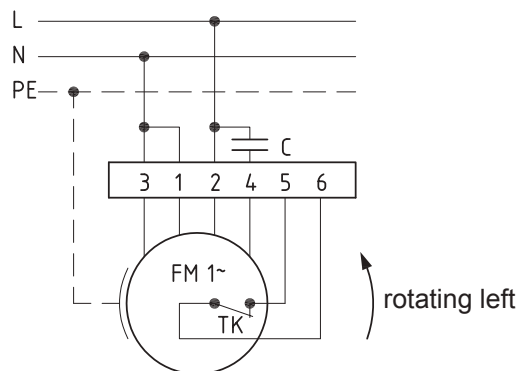
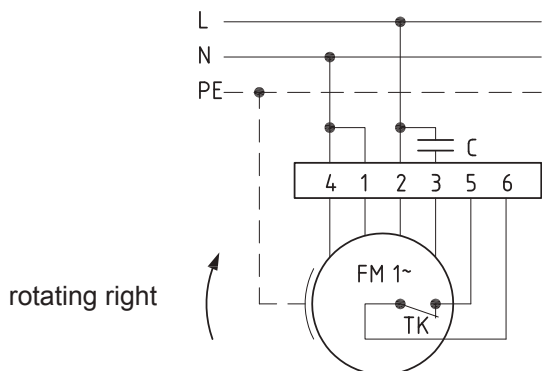
weight:	(kg)	15
material housing:	steel, galvanized	
material impeller:	steel, galvanized	
direction of rotation:	left/right	
motor protection class:	IP 65	
insulation class:	F	
motor protection:	thermal contact	



*external dimension of discharge

connection plan
0.11-1 r.

connection plan
0.11-1 l.



100%
controllable



the silent one

Series: COMPACT-FAN Type CEsingle inlet
with forward curved blades**FISCHBACH**

Luft- und Ventilatorentechnik GmbH

Type: CE670/E15

Erp 2015 x 2016 2018

Performance data

main voltage:	(V)	230 (1~)
frequency:	(Hz)	50
current max.:	(A)	2,0
power input max.:	(kW)	0,42
air flow volume max.:	(m³/h)	2032
statical pressure max.:	(Pa)	419
speed max.:	(rpm)	1400
supply air temperature:	(°C)	-20... +70
capacitor:	(µF)	10

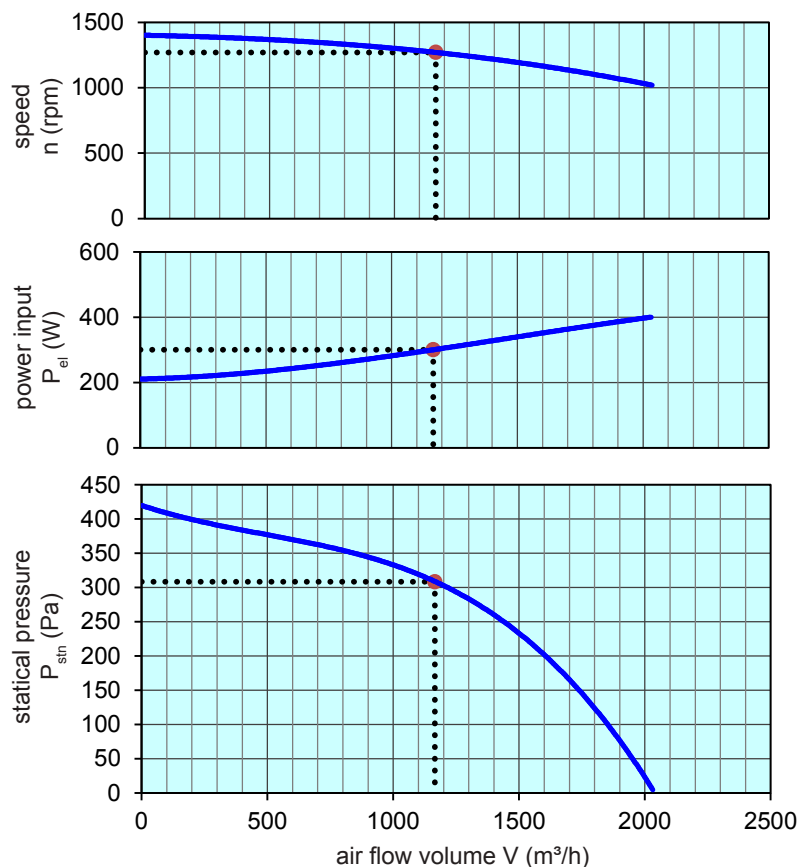
ErP-Data:

total efficiency fan (η_e):	(%)	35,1
installation category:		A
efficiency category:		static
efficiency grade: N	(%)	35
target efficiency (η_{target}):	(%)	34,3
speed controller		no
year of manufacturing		since 2015
manufacturer:	Fischbach Luft- und Ventilatorentechnik GmbH D-57290 Neunkirchen / HRB 5804 Siegen	
order no. li/re		18021020/18021320
power input:	(kW)	0,29
air flow volume:	(m³/h)	1165
statical pressure:	(Pa)	315
speed:	(rpm)	1273
specific ratio:		1

disassembling/recycling/disposal: see page decommission

installation/operation/maintenance: see operating and mounting instructions

measurement for determination of efficiency without additional items

**Speed controller / accessories / sound data**, please see in the appropriate tableTechnical documentation according to page: **General information**