

**Series: COMPACT-FAN Type CE**  
 single inlet  
 with forward curved blades

**FISCHBACH**  
 Luft- und Ventilatorentechnik GmbH

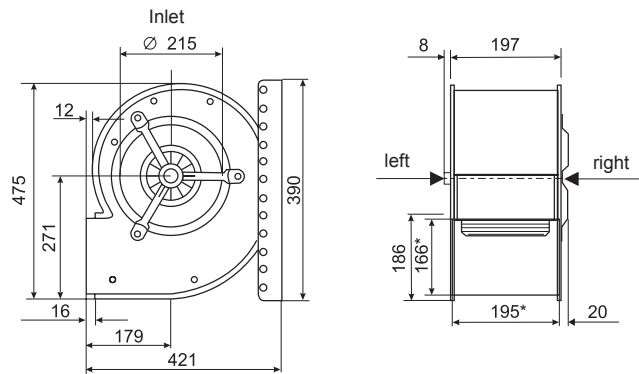
**Type: CE670/D500 \***



**manufacturer:**  
 Fischbach Luft- und Ventilatorentechnik GmbH  
 Am Hellerberg 22-24  
 D-57290 Neunkirchen  
 phone: ++49(0)2735/777-0  
 telefax: ++49(0)2735/770-133  
 internet: www.fischbach-luft.de  
 email: info@fischbach-luft.de

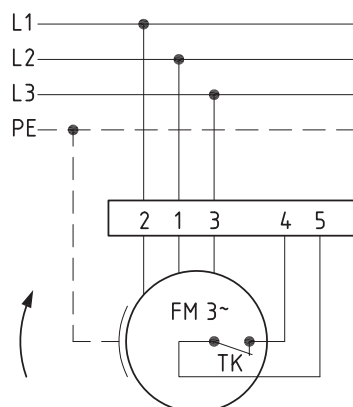
**Technical Data**

weight:	(kg)	20
material housing:	steel, galvanized	
material impeller:	steel, galvanized	
direction of rotation:	left/right	
motor protection class:	IP 65	
insulation class:	F	
motor protection:	thermal contact	



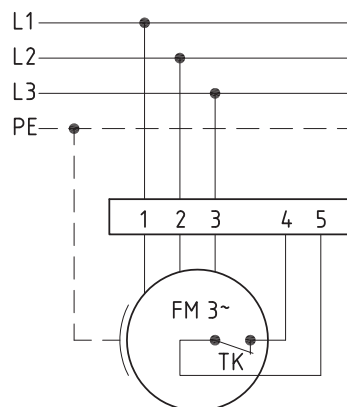
\*external dimension of discharge

connection plan  
 0.13-2 r.



rotating right

connection plan  
 0.13-2 l.



rotating left

the silent one



**Series: COMPACT-FAN Type CE**single inlet  
with forward curved blades**FISCHBACH**

Luft- und Ventilatorentechnik GmbH

**Type: CE670/D500 \***

Erp 2013 2015 2018

**Performance data**

main voltage:	(V)	400 (3~)
frequency:	(Hz)	50
current max.:	(A)	2,1
power input max.:	(kW)	0,68
air flow volume max.:	(m³/h)	2273
statical pressure max.:	(Pa)	405
speed max.:	(rpm)	1461
supply air temperature:	(°C)	-20...+60
capacitor:	(µF)	-

\* not suitable for distribution in EU countries, please choose an appropriate EC fan or contact our technical department

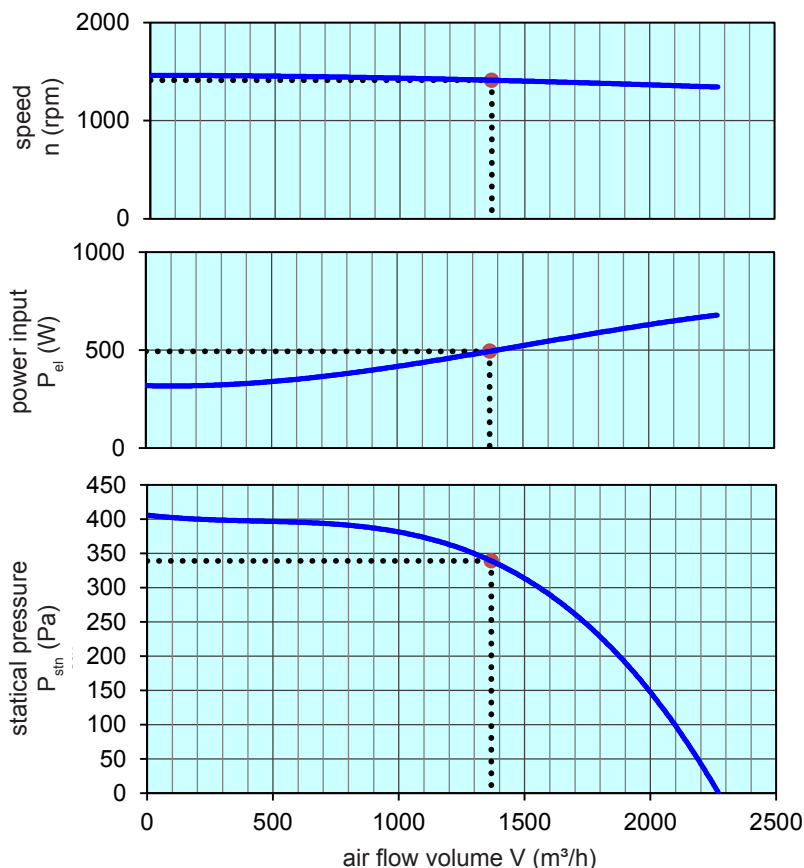
**ErP-Data:**

total efficiency fan ( $\eta_e$ ):	(%)	28,5
installation category:		A
efficiency category:		static
efficiency grade: N	(%)	
target efficiency ( $\eta_{target}$ ):	(%)	
speed controller		no
year of manufacturing		since 2015
manufacturer:	Fischbach Luft- und Ventilatorentechnik GmbH D-57290 Neunkirchen / HRB 5804 Siegen	
order no. li/re		18021210/18021510
power input:	(kW)	0,46
air flow volume:	(m³/h)	1370
statical pressure:	(Pa)	344
speed:	(rpm)	1412
specific ratio:		1

disassembling/recycling/disposal: see page decommission

installation/operation/maintenance: see operating and mounting instructions

measurement for determination of efficiency without additional items



Speed controller / accessories / sound data, please see in the appropriate table

Technical documentation according to page: **General information**