

Series: ROOF TOP UNIT TYPE 40, flat
 with FISCHBACH COMPACT FAN
 Type CE with forward curved blades

FISCHBACH
 Luft- und Ventilatorentechnik GmbH

Type: 40-3/1 CE6-770/E35

ERP KONFORM

CE -conform

**UK
CA**



manufacturer:

Fischbach Luft- und Ventilatorentechnik GmbH

Am Hellerberg 22-24

D-57290 Neunkirchen

phone:

++49(0)2735/777-0

telefax:

++49(0)2735/770-133

internet:

www.fischbach-luft.de

email:

info@fischbach-luft.de

Technical Data

weight: (kg) 50

mat. housing: verzinkt/steel, galvanized/acier gavanisé

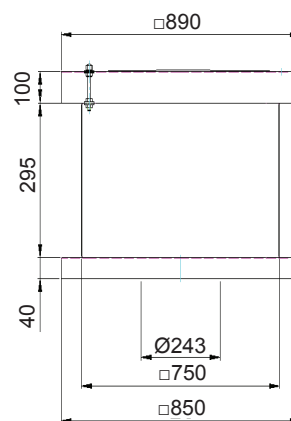
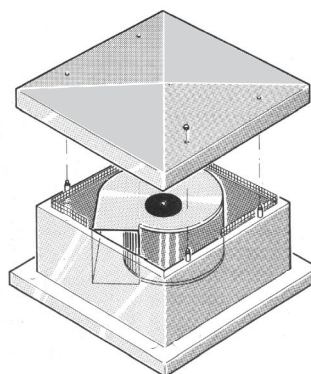
material impeller: verzinkt/steel, galvanized/acier gavanisé

direction of rotation: links/left/à gauche

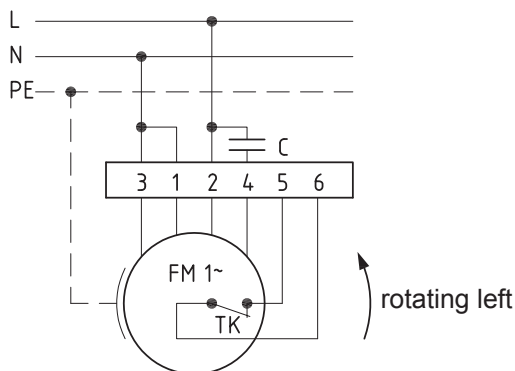
motor protection class: IP 65

insulation class: F

motor protection: thermal contact



connection plan
 0.11-1 I.



**100%
controllable**



the silent one

Series: ROOF TOP UNIT TYPE 40, flat
 with FISCHBACH COMPACT FAN
 Type CE with forward curved blades

FISCHBACH
 Luft- und Ventilatorentechnik GmbH

Type: 40-3/1 CE6-770/E35

Erp 2013 2015 x 2018

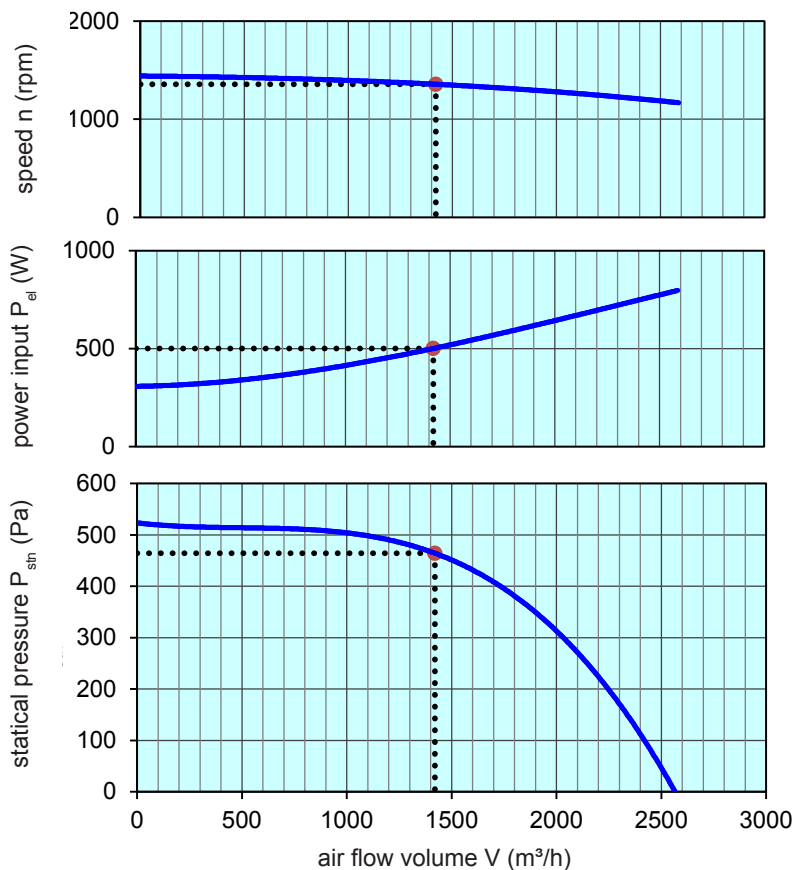
Performance data

main voltage:	(V)	230 (1~)
frequency:	(Hz)	50
current max.:	(A)	3,9
power input max.:	(kW)	0,8
air flow volume max.:	(m³/h)	2588
statical pressure max.:	(Pa)	525
speed max.:	(rpm)	1444
supply air temperature:	(°C)	-20... +70
capacitor:	(µF)	16

ErP-Data:

total efficiency fan (η_e):	(%)	36,6
installation category:		A
efficiency category:		static
efficiency grade: N	(%)	44
target efficiency (η_{target}):	(%)	35,8
speed controller		no
year of manufacturing		since 2015
manufacturer:	Fischbach Luft- und Ventilatorentechnik GmbH D-57290 Neunkirchen / HRB 5804 Siegen	
order no.		58040020
power input:	(kW)	0,5
air flow volume:	(m³/h)	1420
statical pressure:	(Pa)	464
speed:	(rpm)	1356
specific ratio:		1

disassembling/recycling/disposal: see page decommission
 installation/operation/maintenance: see operating and mounting instructions
 measurement for determination of efficiency without additional items



Speed controller / accessories / sound data, please see in the appropriate table

Technical documentation according to page: **General information**