

**Series: MULTI-EXHAUST-UNIT FMB**

with Freewheeling impeller with backward curved blades

**FISCHBACH**

Luft- und Ventilatorentechnik GmbH

**Type: FMB3/1-560/D1a**

**ERP KONFORM**



**manufacturer:**

Fischbach Luft- und Ventilatorentechnik GmbH  
Am Hellerberg 22-24  
D-57290 Neunkirchen

phone: ++49(0)2735/777-0

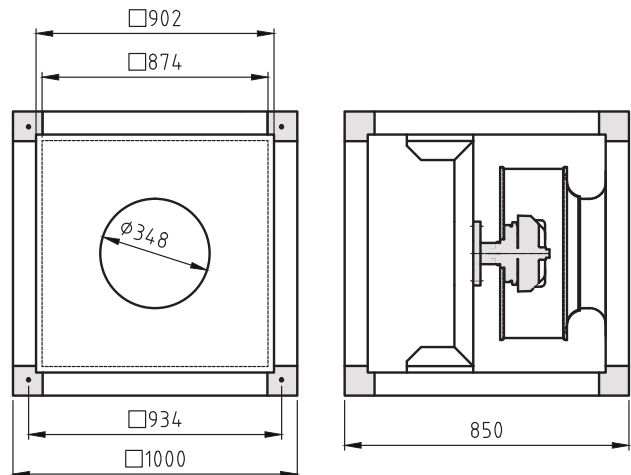
telefax: ++49(0)2735/770-625

internet: www.fischbach-luft.de

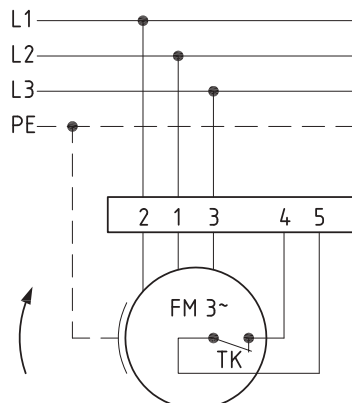
email: info@fischbach-luft.de

**Technical Data**

weight:	(kg)	<b>38</b>
material housing:	aluminum/plastic steel, galvanized	
material impeller:	steel, galvanized	
direction of rotation:	left/right	
motor protection class:	IP 65	
insulation class:	F	
motor protection:	thermal contact	

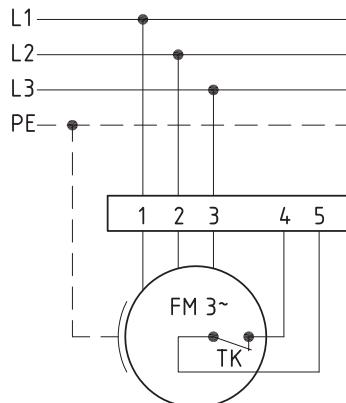


connection plan  
0.13-2 r.



rotating right

connection plan  
0.13-2 l.



rotating left

the silent one



# Series: MULTI-EXHAUST-UNIT FMB

with Freewheeling impeller with backward curved blades

# FISCHBACH

Luft- und Ventilatorentechnik GmbH

## Type: FMB3/1-560/D1a

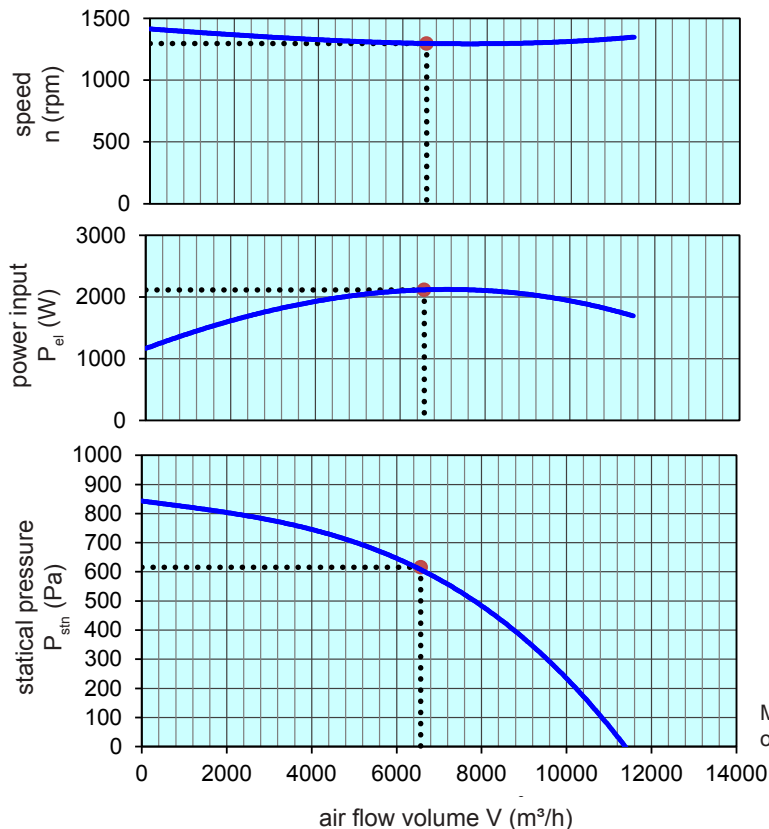
ErP 2013 2015 2018 x

### Performance data

main voltage:	(V)	400 (3~)
frequency:	(Hz)	50
current max.:	(A)	4,6
power input max.:	(kW)	2,3
air flow volume max.:	(m³/h)	11500
statical pressure max.:	(Pa)	855
speed max.:	(rpm)	1411
supply air temperature:	(°C)	-25...+40
capacitor:	(µF)	-

### ErP-Data:

total efficiency fan ( $\eta_e$ ):	(%)	55,0
installation category:		A
efficiency category:		static
efficiency grade: N	(%)	62
target efficiency ( $\eta_{target}$ ):	(%)	54,8
speed controller		no
year of manufacturing		since 2015
manufacturer:	Fischbach Luft- und Ventilatorentechnik GmbH D-57290 Neunkirchen / HRB 5804 Siegen	
order no.: (left)		18025060
power input:	(kW)	2,05
air flow volume:	(m³/h)	6600
statical pressure:	(Pa)	616
speed:	(rpm)	1293
specific ratio:		1
disassembling/recycling/disposal: see page decommission		
installation/operation/maintenance: see operating and mounting instructions		
measurement for determination of efficiency without additional items		



Measurement was carried out without casing!

Voltage Control	type	order-no.
FISCHBACH-Speed-Controller, stepless	FDR 55/3	6231
FISCHBACH-Speed-Controller, stepwise	FDR 5.5/3	6182
FISCHBACH-Frequency-Converter	FFU3-21-4	63760

Technical documentation according to page: **General information**