

vorläufiges Datenblatt / preliminary data sheet

Series: EASY-BOX FEB
with Freewheeling impeller with
backward curved blades **EC-MOTOR**

FISCHBACH

Luft- und Ventilatorentechnik GmbH

Type: FEB500/DM1

ERP KONFORM



manufacturer:

Fischbach Luft- und Ventilatorentechnik GmbH

Am Hellerberg 22-24

D-57290 Neunkirchen

phone:

++49(0)2735/777-0

telefax:

++49(0)2735/770-133

internet:

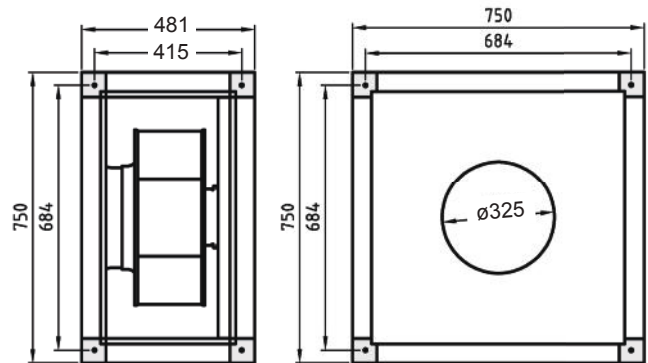
www.fischbach-luft.de

email:

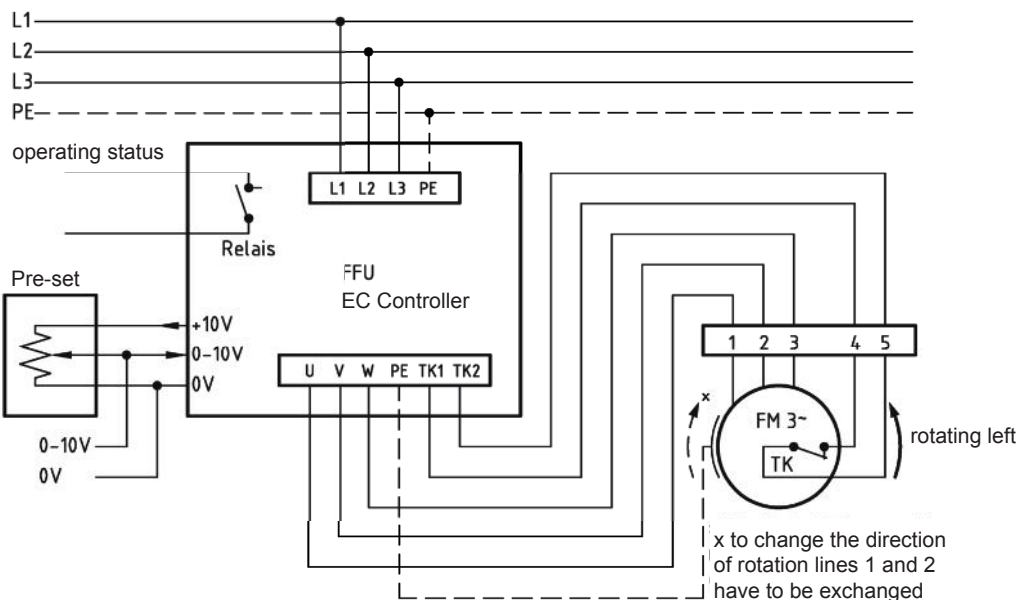
info@fischbach-luft.de

Technical Data

| | | |
|-------------------------|---------------------------------------|----|
| weight: | (kg) | 45 |
| material housing: | aluminum/plastic steel, galvanized | |
| material impeller: | steel, galvanized | |
| direction of rotation: | left | |
| motor protection class: | IP 65 | |
| insulation class: | F | |
| motor protection: | thermal contact | |



**connection plan
FFU-EC 400**



**100%
controllable**



the silent one

* Connection only according to the enclosed technical documentation.

vorläufiges Datenblatt / preliminary data sheet

Series: **EASY-BOX FEB**

with Freewheeling impeller with

backward curved blades **EC-MOTOR**

FISCHBACH

Luft- und Ventilatorentechnik GmbH

Type: FEB500/DM1

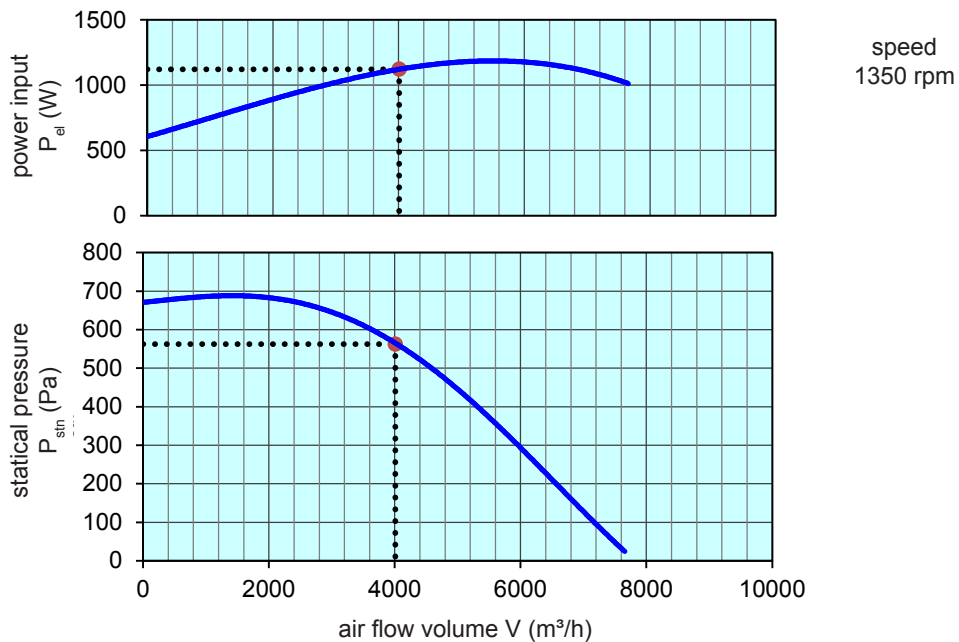
ErP 2013 2015 2018 x

Performance data

| | | |
|---------------------------|--------|----------|
| main voltage: | (V) | 400 (3~) |
| frequency: | (Hz) | 50 |
| current max.: | (A) | 2,7 |
| power input max.: | (kW) | 1,2 |
| air flow volume max.: | (m³/h) | 7650 |
| statical pressure max.: | (Pa) | 680 |
| speed max.: | (rpm) | 1350 |
| max. air flow temperature | (°C) | 80 |
| max. ambient temperature | (°C) | 30 |
| capacitor: | (µF) | - |

ErP-Data:

| | | |
|---|---|------------|
| total efficiency fan (η_e): | (%) | 61,3 |
| installation category: | | A |
| efficiency category: | | static |
| efficiency grade: N | (%) | 62 |
| target efficiency (η_{target}): | (%) | 52,1 |
| speed controller | | yes |
| year of manufacturing | | since 2015 |
| manufacturer: | Fischbach Luft- und Ventilatorentechnik GmbH D-57290 Neunkirchen / HRB 5804 Siegen | |
| order no. (left) | | 18182650 |
| power input: | (kW) | 1,13 |
| air flow volume: | (m³/h) | 4000 |
| statical pressure: | (Pa) | 584 |
| speed: | (rpm) | 1350 |
| specific ratio: | | 1 |
| disassembling/recycling/disposal: see page decommission | | |
| installation/operation/maintenance: see operating and mounting instructions | | |
| measurement for determination of efficiency without additional items | | |



| control with | type | order-Nr. |
|--|-----------|-----------|
| FISCHBACH-EC-controller | FFU3-21-4 | 63760 |
| FISCHBACH-Pre-set 0-10V (optional accessories) | FS 10 | 69460 |

Technical documentation according to page: **General information**