

**Series: EASY-BOX FEB**  
 with Freewheeling impeller with  
 backward curved blades **EC-MOTOR**

**FISCHBACH**  
 Luft- und Ventilatorentechnik GmbH

**Type: FEB400/DM500**

**ERP KONFORM**

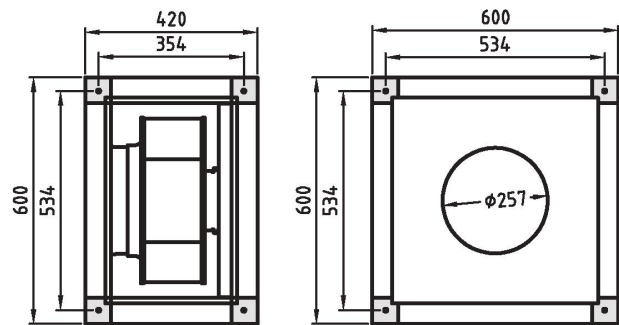


**CE** -conform

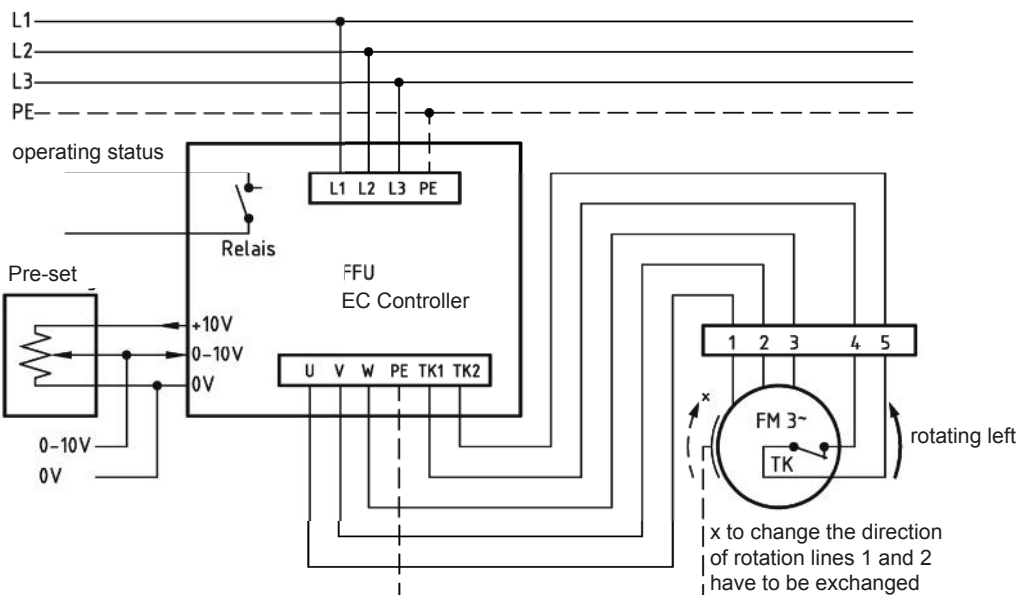
**manufacturer:**  
 Fischbach Luft- und Ventilatorentechnik GmbH  
 Am Hellerberg 22-24  
 D-57290 Neunkirchen  
 phone: ++49(0)2735/777-0  
 telefax: ++49(0)2735/770-625  
 internet: www.fischbach-luft.de  
 email: info@fischbach-luft.de

**Technical Data**

weight:	(kg)	27,5
material housing:		aluminum/plastic steel, galvanized
material impeller:		steel, galvanized
direction of rotation:		left
motor protection class:		IP 65
insulation class:		F
motor protection:		thermal contact

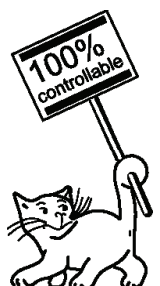


**connection plan  
 FFU-EC 400**



\* Connection only according to the enclosed technical documentation.

the silent one



**Series: EASY-BOX FEB**  
 with Freewheeling impeller with  
 backward curved blades **EC-MOTOR**

**FISCHBACH**  
 Luft- und Ventilatorentechnik GmbH

**Type: FEB400/DM500**

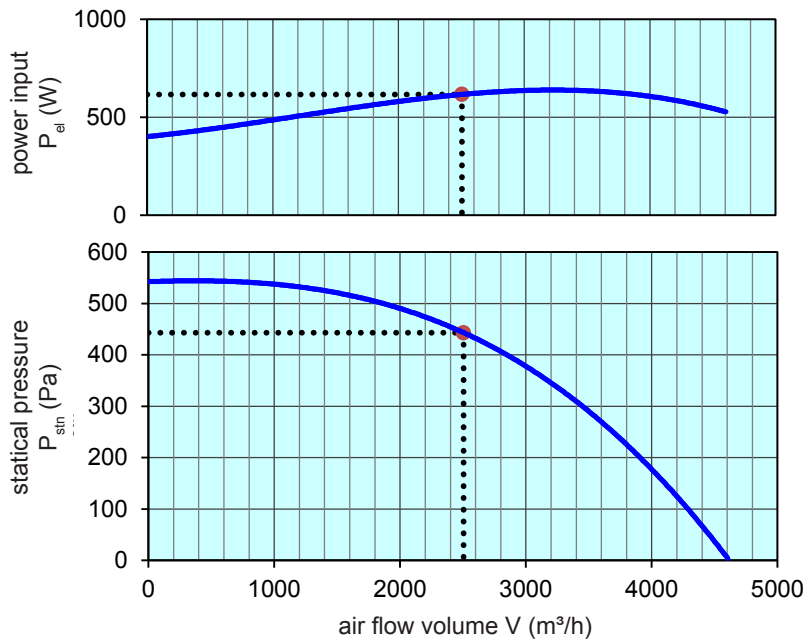
ErP 2013 2015 2018 x

**Performance data**

main voltage:	(V)	400 (3~)
frequency:	(Hz)	50
current max.:	(A)	1,8
power input max.:	(kW)	0,64
air flow volume max.:	(m³/h)	4600
statical pressure max.:	(Pa)	543
speed max.:	(rpm)	1500
max. air flow temperature	(°C)	80
max. ambient temperature	(°C)	30
capacitor:	(µF)	-

**ErP-Data:**

total efficiency fan ( $\eta_e$ ):	(%)	55,9
installation category:		A
efficiency category:		static
efficiency grade: N	(%)	62
target efficiency ( $\eta_{target}$ ):	(%)	49,3
speed controller		yes
year of manufacturing		since 2015
manufacturer: Fischbach Luft- und Ventilatorentechnik GmbH D-57290 Neunkirchen / HRB 5804 Siegen		
order no. (left)		18182620
power input:	(kW)	0,62
air flow volume:	(m³/h)	2505
statical pressure:	(Pa)	452
speed:	(rpm)	1500
specific ratio:		1
disassembling/recycling/disposal: see page decommission		
installation/operation/maintenance: see operating and mounting instructions		
measurement for determination of efficiency without additional items		



control with	type	order-Nr.
FISCHBACH-EC-controller	FFU3-21-1,5	63740
FISCHBACH-Pre-set 0-10V (optional accessories)	FS 10	69460

Technical documentation according to page: **General information**