

**Series: FREEWHEELING IMPELLER with
INSTALLATION FRAME FLRE**
with backward curved blades EC-MOTOR

FISCHBACH

Luft- und Ventilatorentechnik GmbH

**Type: FANGRID
FLRE355/EM15**

ERP KONFORM

CE -conform

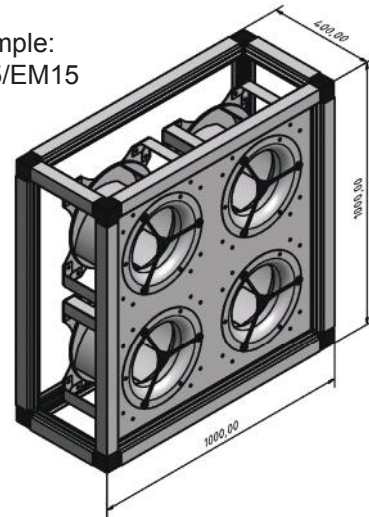


manufacturer:
Fischbach Luft- und Ventilatorentechnik GmbH
Am Hellerberg 22-24
D-57290 Neunkirchen
phone: ++49(0)2735/777-0
telefax: ++49(0)2735/770-625
internet: www.fischbach-luft.de
email: info@fischbach-luft.de

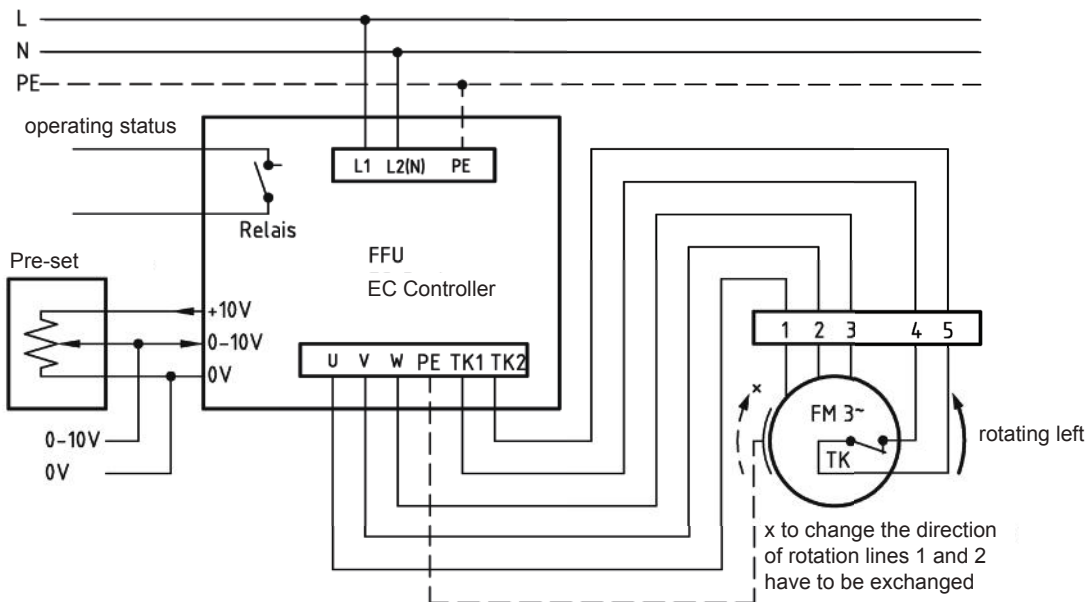
Technical Data

weight:	(kg)	18
material housing:		-
material impeller:		steel, galvanized
direction of rotation:		left/right
motor-protection class:		IP 65
insulation class:		F
motor protection:		thermal contact

z.B./for example:
4x FLRE355/EM15



**connection plan*
FFU-EC 230**



* Connection only according to the enclosed technical documentation.

the silent one



**Type: FANGRID
FLRE355/EM15**

Erp 2013 2015 2018 x

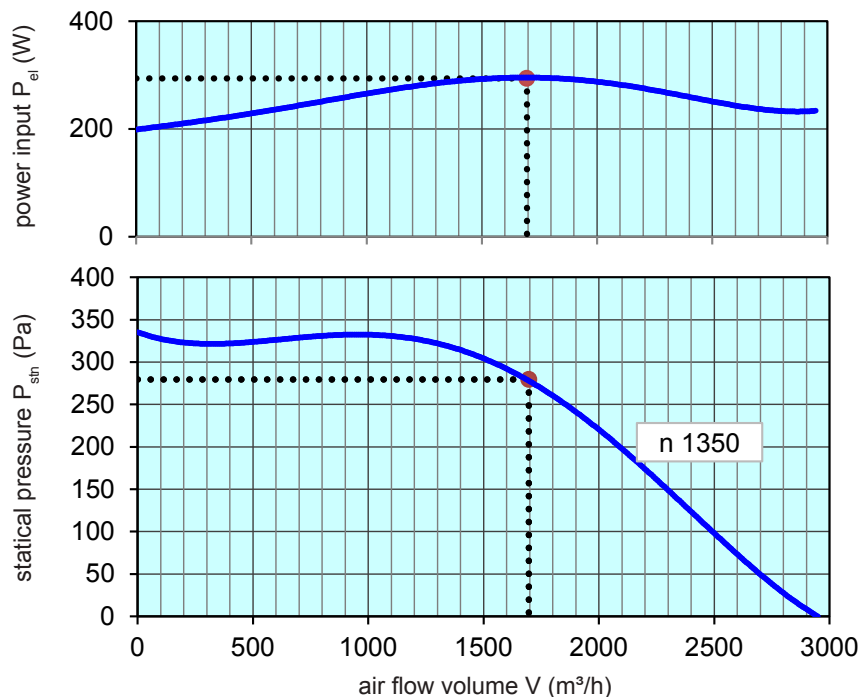
Performance data

main voltage:	(V)	230 (1~)
frequency:	(Hz)	50
current max.:	(A)	2,3
power input max.:	(kW)	0,3
air flow volume max.:	(m³/h)	2950
statical pressure max.:	(Pa)	332
speed max.:	(rpm)	1350
supply air temperature:	(°C)	-25... +60
capacitor:	(µF)	-

ErP-Data:

total efficiency fan (η_e):	(%)	51,3
installation category:		A
efficiency category:		static
efficiency grade: N	(%)	62
target efficiency (η_{target}):	(%)	45,9
speed controller		yes
year of manufacturing		since 2015
manufacturer:	Fischbach Luft- und Ventilatorentechnik GmbH D-57290 Neunkirchen / HRB 5804 Siegen	
order no. (left)		auf Anfrage
power input:	(kW)	0,29
air flow volume:	(m³/h)	1700
statical pressure:	(Pa)	280
speed:	(rpm)	1350
specific ratio:		1
disassembling/recycling/disposal: see page decommission		
installation/operation/maintenance: see operating and mounting instructions		
measurement for determination of efficiency without additional items		

Fangrid 1 x FLRE355/EM15

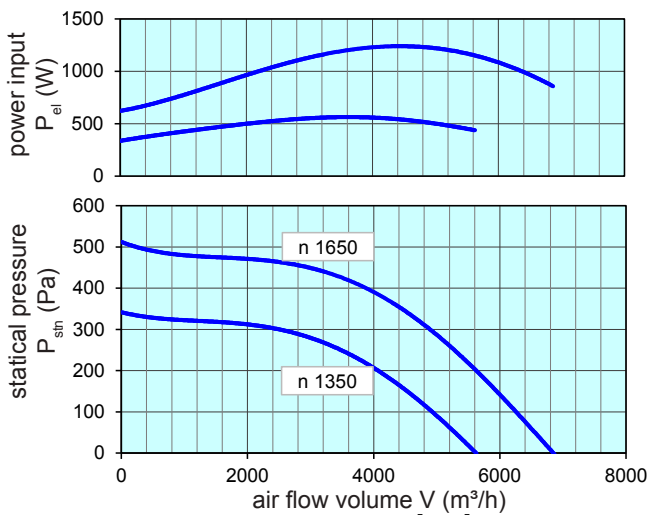


control with	type	order-Nr.
FISCHBACH-EC-controller	FFU1-21-0,75	63800
FISCHBACH-Pre-set 0-10V (optional accessories)	FS 10	69460

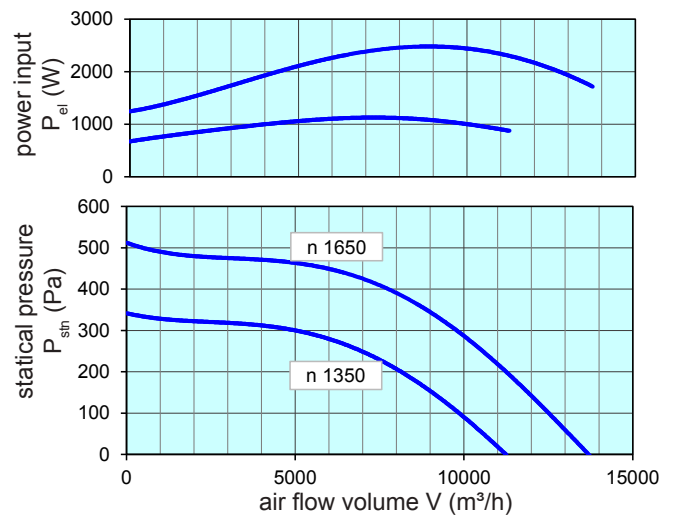
Technical documentation according to page: **General information**

**Type: FANGRID
FLRE355/EM15**

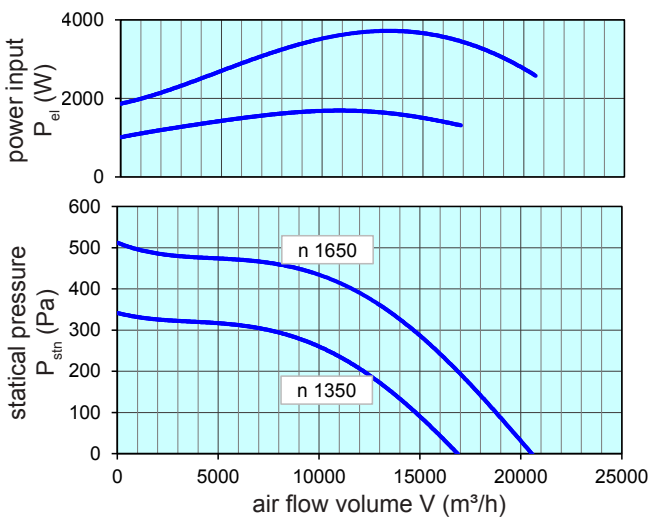
Fangrid 2 x FLRE355/EM15



Fangrid 4 x FLRE355/EM15



Fangrid 6 x FLRE355/EM15



Fangrid 8 x FLRE355/EM15

