

**Series: THERMAL-EXHAUST-UNIT FMBT-EC**  
 with Freewheeling impeller with  
 backward curved blades **EC-MOTOR**

**FISCHBACH**

Luft- und Ventilatorentechnik GmbH

**Type: FMBT-EC-40/500/DM1**

**ERP KONFORM**



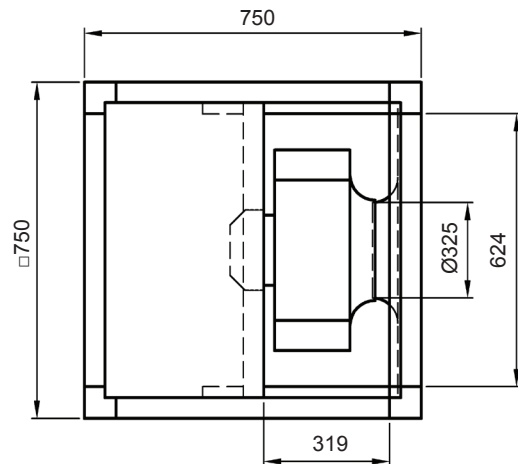
**CE** -conform

**manufacturer:**

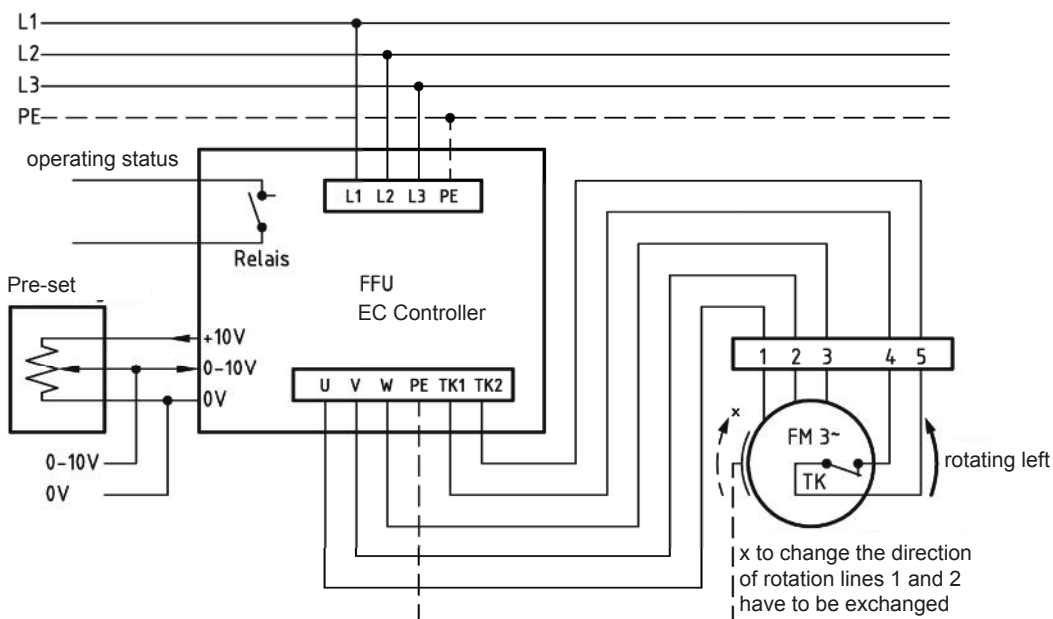
Fischbach Luft- und Ventilatorentechnik GmbH  
 Am Hellerberg 22-24  
 D-57290 Neunkirchen  
 phone: ++49(0)2735/777-0  
 telefax: ++49(0)2735/770-625  
 internet: www.fischbach-luft.de  
 email: info@fischbach-luft.de

**Technical Data**

weight:	(kg)	42
material housing:	aluminum/plastic	
	steel, galvanized	
material impeller:	steel, galvanized	
direction of rotation:	left/right	
motor-protection class:	IP 65	
insulation class:	F	
motor protection:	thermal contact	



**connection plan\***  
**FFU-EC 400**



\* Connection only according to the enclosed technical documentation.

the silent one



**Type: FMBT-EC-40/500/DM1**

Erp 2013 2015 2018 x

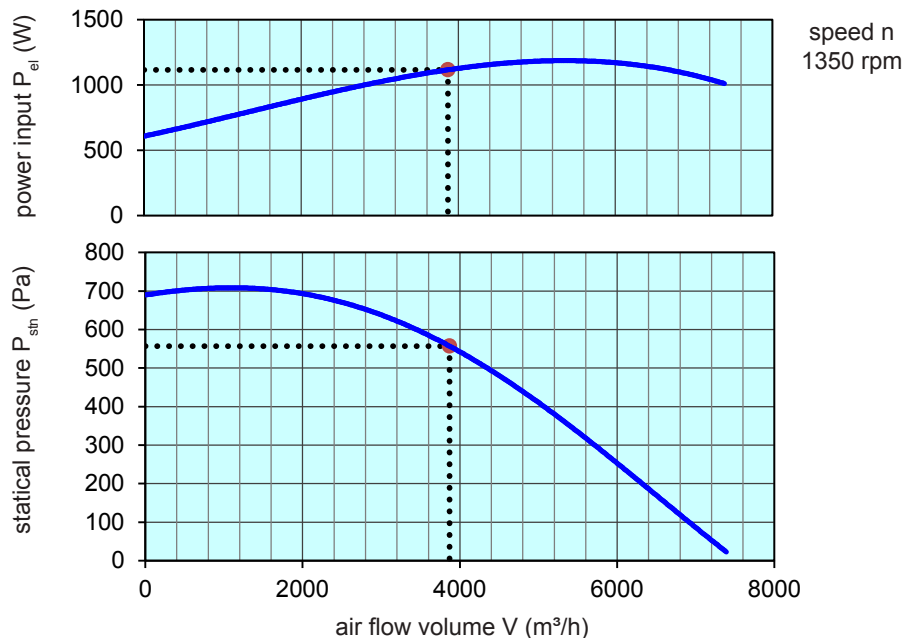
**Performance data**

main voltage:	(V)	400 (3~)
frequency:	(Hz)	50
current max.:	(A)	2,7
power input max.:	(kW)	1,2
air flow volume max.:	(m³/h)	7390
statical pressure max.:	(Pa)	700
speed max.:	(rpm)	1350
max. air flow temperature	(°C)	+80
max. ambient temperature	(°C)	+30
capacitor:	(µF)	-

\* One discharge! With two discharges the performance increases by approx. 10%

**ErP-Data:**

total efficiency fan ( $\eta_e$ ):	(%)	58,0
installation category:		A
efficiency category:		static
efficiency grade: N	(%)	62
target efficiency ( $\eta_{target}$ ):	(%)	52,0
speed controller		yes
year of manufacturing		since 2015
manufacturer:	Fischbach Luft- und Ventilatorentechnik GmbH D-57290 Neunkirchen / HRB 5804 Siegen	
order no.		18172750
power input:	(kW)	1,12
air flow volume:	(m³/h)	3868
statical pressure:	(Pa)	557
speed:	(rpm)	1350
specific ratio:		1
disassembling/recycling/disposal:	see page decommission	
installation/operation/maintenance:	see operating and mounting instructions	
measurement for determination of efficiency without additional items		



control with	type	order-Nr.
FISCHBACH-frequency-converter	FFU3-21-4	<b>63760</b>
FISCHBACH-Pre-set 0-10V (optional accessories)	FS 10	<b>69460</b>

Technical documentation according to page: **General information**