

**Series: EASY-BOX FEB**  
with Freewheeling impeller with  
backward curved blades

**FISCHBACH**  
Luft- und Ventilatorentechnik GmbH

**Type: FEB400/E35**

**ERP KONFORM**



**CE** -conform

**UK  
CA**

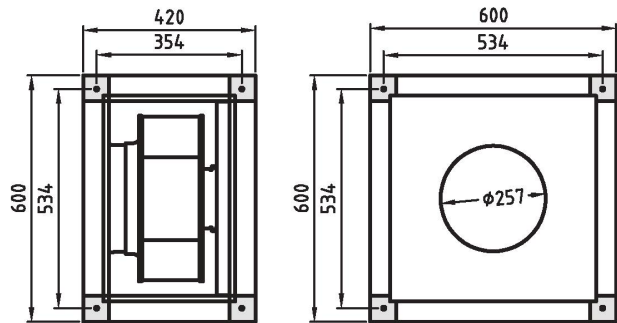
**manufacturer:**

Fischbach Luft- und Ventilatorentechnik GmbH  
Am Hellerberg 22-24  
D-57290 Neunkirchen  
phone:  
telefax:  
internet:  
email:

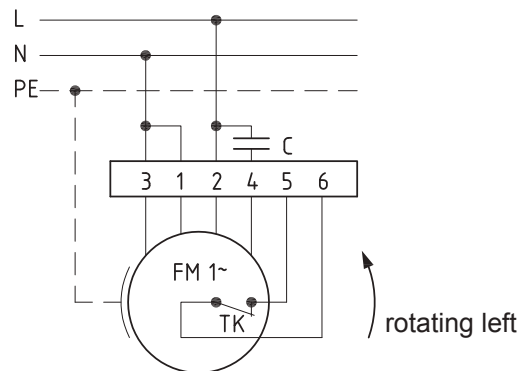
++49(0)2735/777-0  
++49(0)2735/770-133  
www.fischbach-luft.de  
info@fischbach-luft.de

**Technical Data**

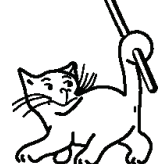
weight:	(kg)	27,5
material housing:		aluminum/plastic steel, galvanized
material impeller:		steel, galvanized
direction of rotation:		left
motor protection class:		IP 65
insulation class:		F
motor protection:		thermal contact



**connection plan**  
0.11-1 I.



**100%  
controllable**



the silent one

**Series: EASY-BOX FEB**  
with Freewheeling impeller with  
backward curved blades

**FISCHBACH**  
Luft- und Ventilatorentechnik GmbH

**Type: FEB400/E35**

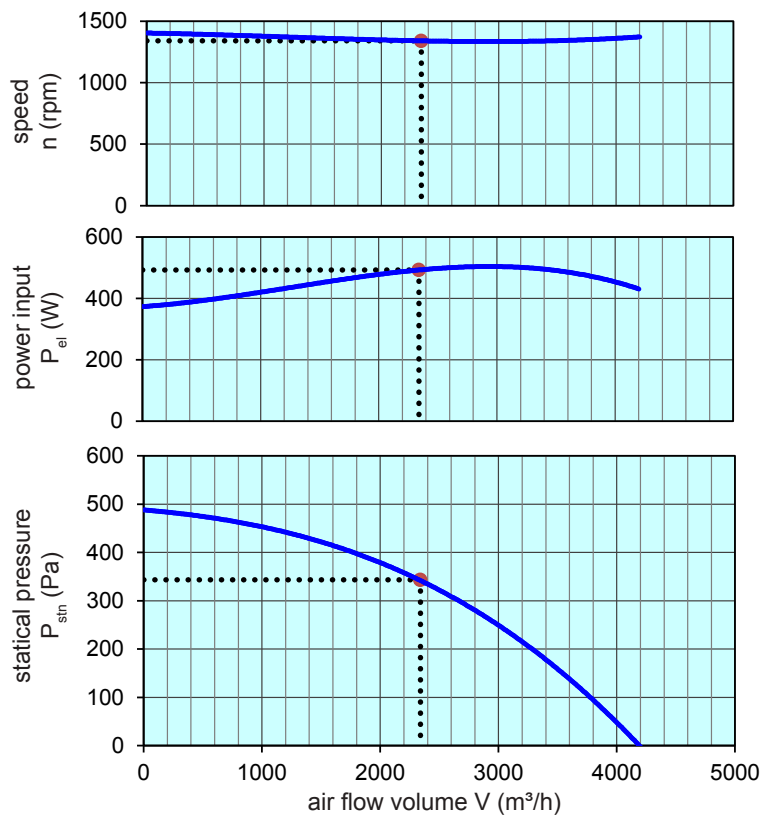
ErP 2013 2015 2018 x

**Performance data**

main voltage:	(V)	230 (1~)
frequency:	(Hz)	50
current max.:	(A)	2,9
power input max.:	(kW)	0,54
air flow volume max.:	(m³/h)	4200
statical pressure max.:	(Pa)	492
speed max.:	(rpm)	1404
max. air flow temperature	(°C)	80
max. ambient temperature	(°C)	30
capacitor:	(µF)	16

**ErP-Data:**

total efficiency fan ( $\eta_e$ ):	(%)	48,2
installation category:		A
efficiency category:		static
efficiency grade: N	(%)	62
target efficiency ( $\eta_{target}$ ):	(%)	48,2
speed controller		no
year of manufacturing		since 2015
manufacturer: Fischbach Luft- und Ventilatorentechnik GmbH D-57290 Neunkirchen / HRB 5804 Siegen		
order no. (left)		18072610
power input:	(kW)	0,49
air flow volume:	(m³/h)	2430
statical pressure:	(Pa)	350
speed:	(rpm)	1339
specific ratio:		1
disassembling/recycling/disposal: see page decommission		
installation/operation/maintenance: see operating and mounting instructions		
measurement for determination of efficiency without additional items		



**Speed controller / accessories / sound data**, please see in the appropriate table

Technical documentation according to page: **General information**