

Series: EASY-BOX FEB
with Freewheeling impeller with
backward curved blades

FISCHBACH
Luft- und Ventilatorentechnik GmbH

Type: FEB355/E25

ERP KONFORM

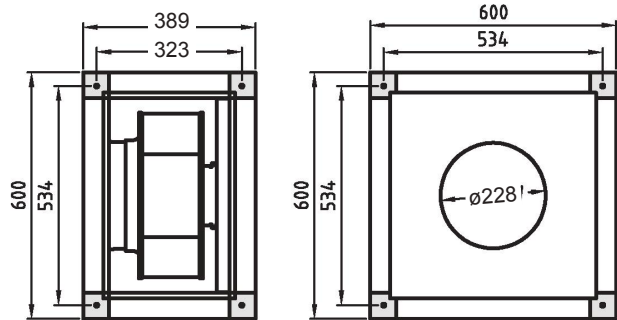


CE -conform

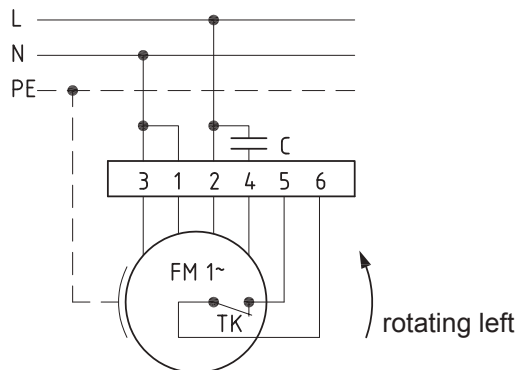
manufacturer:
Fischbach Luft- und Ventilatorentechnik GmbH
Am Hellerberg 22-24
D-57290 Neunkirchen
phone: ++49(0)2735/777-0
telefax: ++49(0)2735/770-625
internet: www.fischbach-luft.de
email: info@fischbach-luft.de

Technical Data

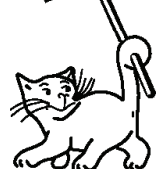
weight:	(kg)	25
material housing:		aluminum/plastic steel, galvanized
material impeller:		steel, galvanized
direction of rotation:		left
motor protection class:		IP 65
insulation class:		F
motor protection:		thermal contact



connection plan
0.11-1 I.



100%
controllable



the silent one

Series: EASY-BOX FEB
with Freewheeling impeller with
backward curved blades

FISCHBACH
Luft- und Ventilatorentechnik GmbH

Type: FEB355/E25

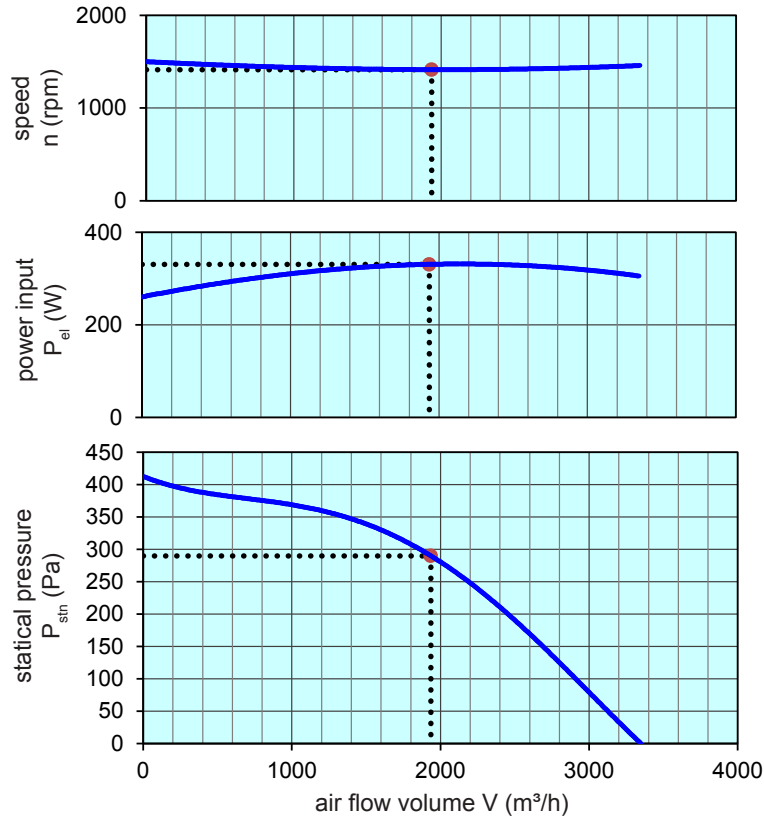
ErP 2013 2015 2018 x

Performance data

main voltage:	(V)	230 (1~)
frequency:	(Hz)	50
current max.:	(A)	1,7
power input max.:	(kW)	0,35
air flow volume max.:	(m³/h)	3350
statical pressure max.:	(Pa)	413
speed max.:	(rpm)	1497
max. air flow temperature	(°C)	80
max. ambient temperature	(°C)	30
capacitor:	(µF)	12

ErP-Data:

total efficiency fan (η_e):	(%)	47,2
installation category:		A
efficiency category:		static
efficiency grade: N	(%)	46,4
target efficiency (η_{target}):	(%)	
speed controller		no
year of manufacturing		since 2015
manufacturer:	Fischbach Luft- und Ventilatorentechnik GmbH D-57290 Neunkirchen / HRB 5804 Siegen	
order no. (left)		upon request
power input:	(kW)	0,33
air flow volume:	(m³/h)	1935
statical pressure:	(Pa)	290
speed:	(rpm)	1412
specific ratio:		1
disassembling/recycling/disposal: see page decommission		
installation/operation/maintenance: see operating and mounting instructions		
measurement for determination of efficiency without additional items		



Voltage Control	type	order-no.
FISCHBACH-Speed-Controller, stepless	FDR 55	6163
FISCHBACH-Speed-Controller, stepwise	FDR 420	6201
FISCHBACH-Automatic-Control	FRA 55	6252
FISCHBACH-Control-Unit	FRE 6	63001

Technical documentation according to page: **General information**