

Series: VENTILATION UNIT VF flat
with FISCHBACH COMPACT FAN
Type CFE

FISCHBACH

Luft- und Ventilatorentechnik GmbH

Type: VF410 CFE9-070/D2.5

ERP KONFORM



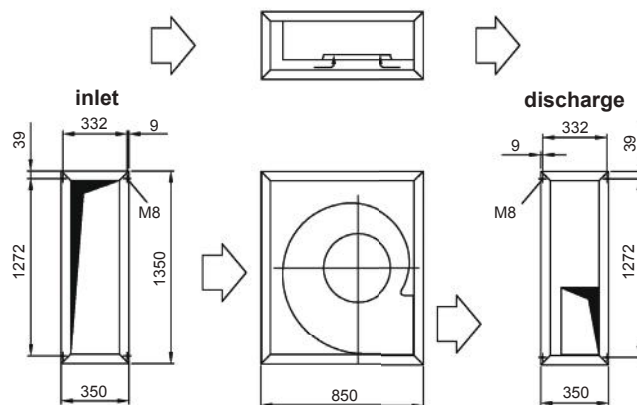
CE -conform

manufacturer:

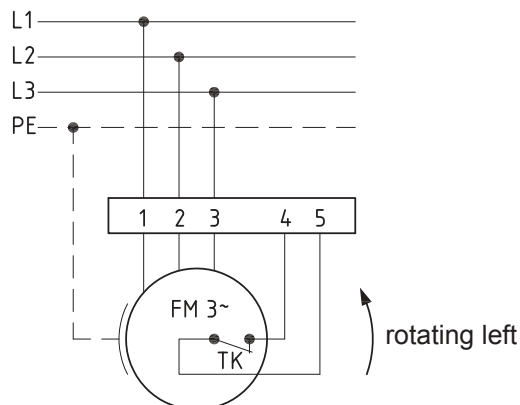
Fischbach Luft- und Ventilatorentechnik GmbH
Am Hellerberg 22-24
D-57290 Neunkirchen
phone: ++49(0)2735/777-0
telefax: ++49(0)2735/770-625
internet: www.fischbach-luft.de
email: info@fischbach-luft.de

Technical Data

weight:	(kg)	70
material housing:	aluminum/plastic	
	steel, galvanized	
material impeller:	steel, galvanized	
direction of rotation:	left	
motor protection class:	IP 65	
insulation class:	F	
motor protection:	thermal contact	



connection plan
0.13-2 I.



the silent one



Type: VF410 CFE9-070/D2.5

Erp 2013 2015 x 2018

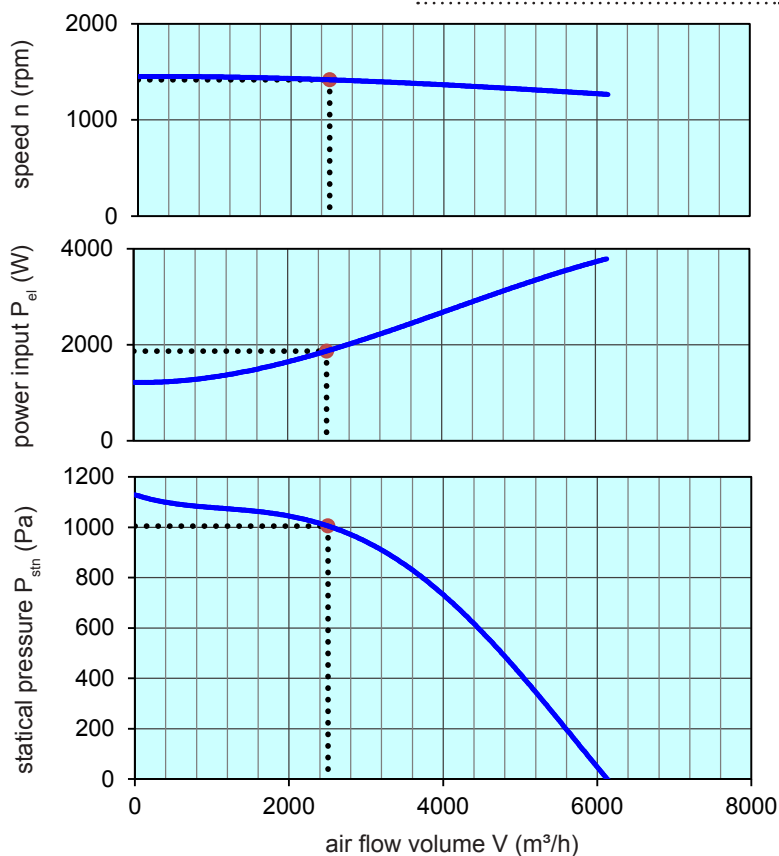
Performance data

main voltage:	(V)	400 (3~)
frequency:	(Hz)	50
current max.:	(A)	8,4
power input max.:	(kW)	3,8
air flow volume max.:	(m³/h)	6145
statical pressure max.:	(Pa)	1122
speed max.:	(rpm)	1454
supply air temperature:	(°C)	-25...+60
capacitor:	(µF)	-

ErP-Data:

total efficiency fan (η_e):	(%)	39,2
installation category:		A
efficiency category:		static
efficiency grade: N	(%)	44
target efficiency (η_{target}):	(%)	39,2
speed controller		no
year of manufacturing		since 2015
manufacturer:	Fischbach Luft- und Ventilatorentechnik GmbH D-57290 Neunkirchen / HRB 5804 Siegen	
order no.:		58342115
power input:	(kW)	1,8
air flow volume:	(m³/h)	2512
statical pressure:	(Pa)	1012
speed:	(rpm)	1417
specific ratio:		1

disassembling/recycling/disposal: see page decommission
installation/operation/maintenance: see operating and mounting instructions
measurement for determination of efficiency without additional items



control with	type	order.-no.
FISCHBACH-Speed-Controller, stepless	FDR 120/3	6233
FISCHBACH-Speed-Controller, stepwise	FDR 11.3/3	6185
FISCHBACH-frequency converter	FFU3-21-7.5	63770

Technical documentation according to page: **General information**