

Series: VENTILATION UNIT VF flat
with FISCHBACH COMPACT FAN
Type CFE

FISCHBACH
Luft- und Ventilatorentechnik GmbH

Type: VF 223 CFE8-940/E80

ERP KONFORM



CE -conform

**UK
CA**

manufacturer:

Fischbach Luft- und Ventilatorentechnik GmbH

Am Hellerberg 22-24

D-57290 Neunkirchen

phone:

++49(0)2735/777-0

telefax:

++49(0)2735/770-133

internet:

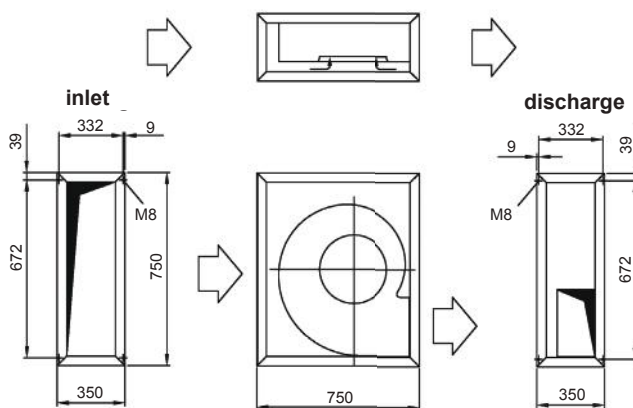
www.fischbach-luft.de

email:

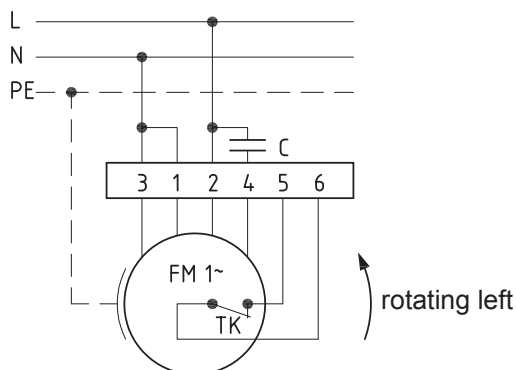
info@fischbach-luft.de

Technical Data

weight:	(kg)	54
material housing:	aluminum/plastic steel, galvanized	
material impeller:	steel, galvanized	
direction of rotation:	left	
motor protection class:	IP 65	
insulation class:	F	
motor protection:	thermal contact	



connection plan
0.11-1 I.



the silent one

Series: VENTILATION UNIT VF flat
with FISCHBACH COMPACT FAN
Type CFE

FISCHBACH
Luft- und Ventilatorentechnik GmbH

Type: VF 223 CFE8-940/E80

Erp 2013 2015 x 2018

Performance data

main voltage:	(V)	230 (1~)
frequency:	(Hz)	50
current max.:	(A)	8,3
power input max.:	(kW)	1,7
air flow volume max.:	(m³/h)	3200
statical pressure max.:	(Pa)	803
speed max.:	(rpm)	1458
supply air temperature:	(°C)	-20...
siehe Diagramm/see diagram/ voir diagramme		
capacitor:	(µF)	30

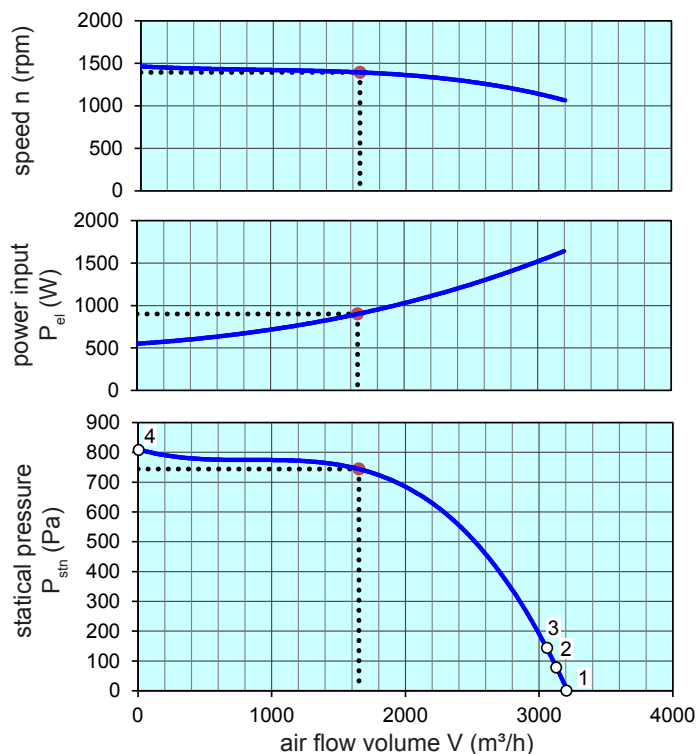
ErP-Data:

total efficiency fan (η_e):	(%)	38,1
installation category:		A
efficiency category:		static
efficiency grade: N	(%)	44
target efficiency (η_{target}):	(%)	37,4
speed controller		no
year of manufacturing		since 2015
manufacturer: Fischbach Luft- und Ventilatorentechnik GmbH D-57290 Neunkirchen / HRB 5804 Siegen		
order no.		58322140
power input:	(kW)	0,9
air flow volume:	(m³/h)	1660
statical pressure:	(Pa)	744
speed:	(rpm)	1393
specific ratio:		1

disassembling/recycling/disposal: see page decommission

installation/operation/maintenance: see operating and mounting instructions

measurement for determination of efficiency without additional items



max. permissible ambient temperature from point 1-2: 40°
2-3: 50°
3-4: 60°

Speed controller / accessories / sound data, please see in the appropriate table

Technical documentation according to page: **General information**