

Series: ROOF TOP UNIT TYPE 42

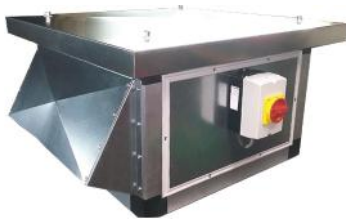
with freewheeling impeller with backward curved blades

FISCHBACH

Luft- und Ventilatorentechnik GmbH

Type: 42.201 FLR450/D500

ERP KONFORM



manufacturer:

Fischbach Luft- und Ventilatorentechnik GmbH

Am Hellerberg 22-24

D-57290 Neunkirchen

phone:

++49(0)2735/777-0

telefax:

++49(0)2735/770-133

internet:

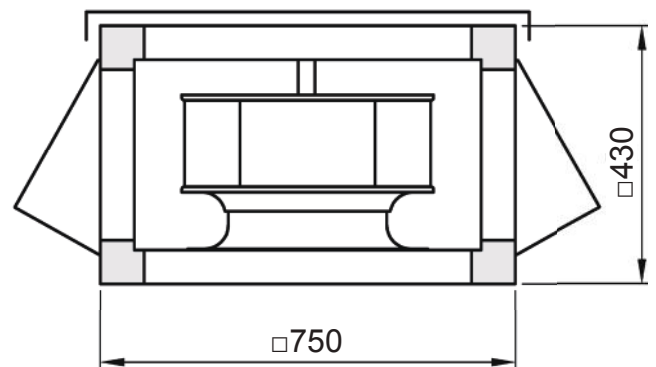
www.fischbach-luft.de

email:

info@fischbach-luft.de

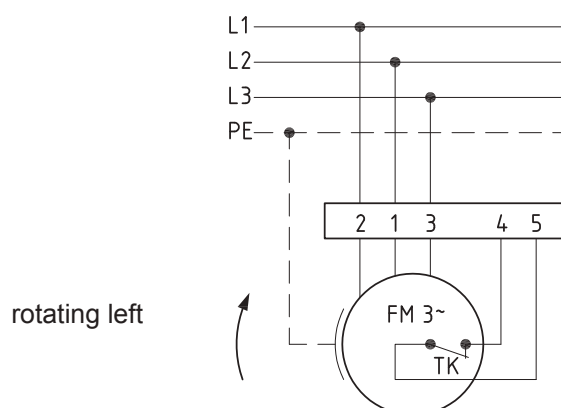
Technical Data

weight:	(kg)	47
mat. housing:	aluminum/plastic steel, galvanized	
material impeller:	aluminium	
direction of rotation:	right	
motor protection class:	IP 65	
insulation class:	F	
motor protection:	thermal contact	



connection plan

0.13-2 r.



the silent one



Series: ROOF TOP UNIT TYPE 42with freewheeling impeller with
backward curved blades**FISCHBACH**

Luft- und Ventilatorentechnik GmbH

Type: 42.201 FLR450/D500

Erp 2013 2015 2018 x

Performance data

main voltage:	(V)	400 (3~)
frequency:	(Hz)	50
current max.:	(A)	1,9
power input max.:	(kW)	0,72
air flow volume max.:	(m³/h)	6005
statical pressure max.:	(Pa)	532
speed max.:	(rpm)	1362
supply air temperature:	(°C)	-20... +60
capacitor:	(µF)	-

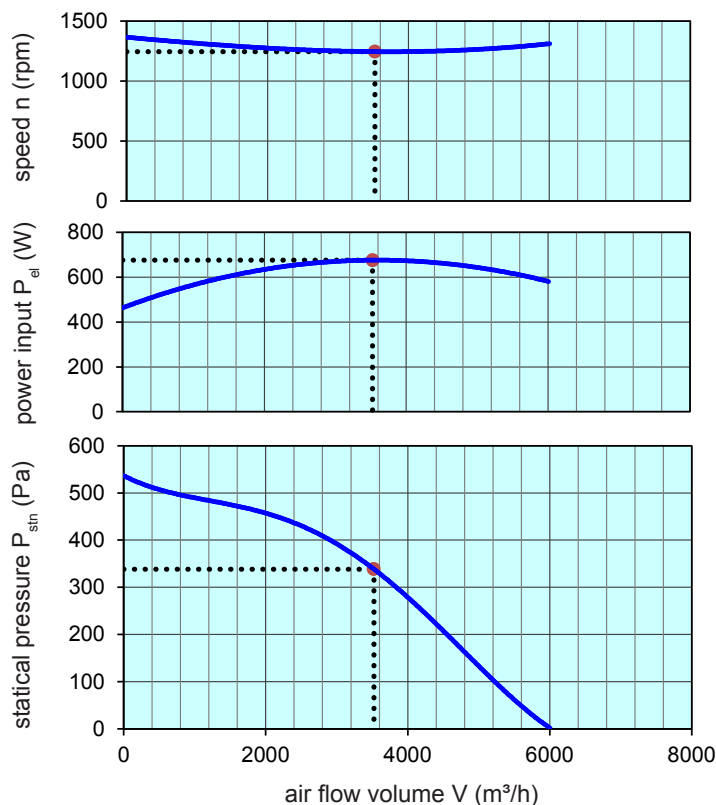
ErP-Data:

total efficiency fan (η_e):	(%)	50,0
installation category:		A
efficiency category:		static
efficiency grade: N	(%)	62
target efficiency (η_{target}):	(%)	49,7
speed controller		no
year of manufacturing		since 2015
manufacturer:	Fischbach Luft- und Ventilatorentechnik GmbH D-57290 Neunkirchen / HRB 5804 Siegen	
order no.		58415035
power input:	(kW)	0,67
air flow volume:	(m³/h)	3550
statical pressure:	(Pa)	340
speed:	(rpm)	1245
specific ratio:		1

disassembling/recycling/disposal: see page decommission

installation/operation/maintenance: see operating and mounting instructions

measurement for determination of efficiency without additional items

**Speed controller / accessories / sound data**, please see in the appropriate tableTechnical documentation according to page: **General information**