

**Series: ROOF TOP UNIT TYPE 41, norm**  
with FISCHBACH HIGH EFFICIENCY FAN  
Type HD

**FISCHBACH**

Luft- und Ventilatorentechnik GmbH

**Type: 41.413 HD630/TD10**

**ERP KONFORM**

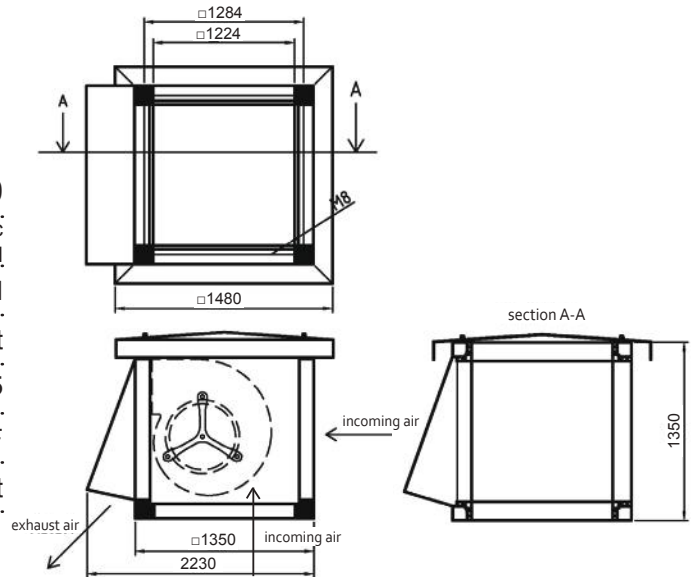
**CE** -conform



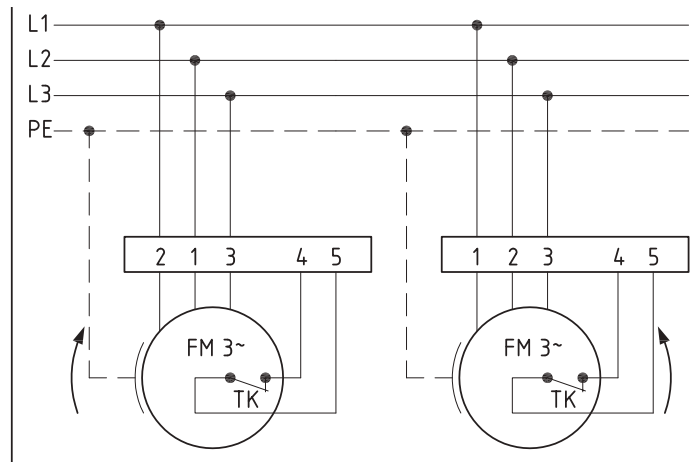
**manufacturer:**  
Fischbach Luft- und Ventilatorentechnik GmbH  
Am Hellerberg 22-24  
D-57290 Neunkirchen  
phone: ++49(0)2735/777-0  
telefax: ++49(0)2735/770-625  
internet: www.fischbach-luft.de  
email: info@fischbach-luft.de

**Technical Data**

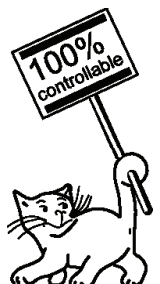
weight:	(kg)	190
material housing:		aluminum/plastic steel, galvanized
material impeller:		steel, galvanized
direction of rotation:		left
motor protection class:		IP 65
insulation class:		F
motor protection:		thermal contact



**connection plan**  
0.16-1 / 0.16a-1



the silent one



Series: **ROOF TOP UNIT TYPE 41, norm**  
 with FISCHBACH HIGH EFFICIENCY FAN  
 Type HD

**FISCHBACH**  
 Luft- und Ventilatorentechnik GmbH

**Type: 41.413 HD630/TD10**

Erp 2013\*\*x 2015 2018

**Performance data**

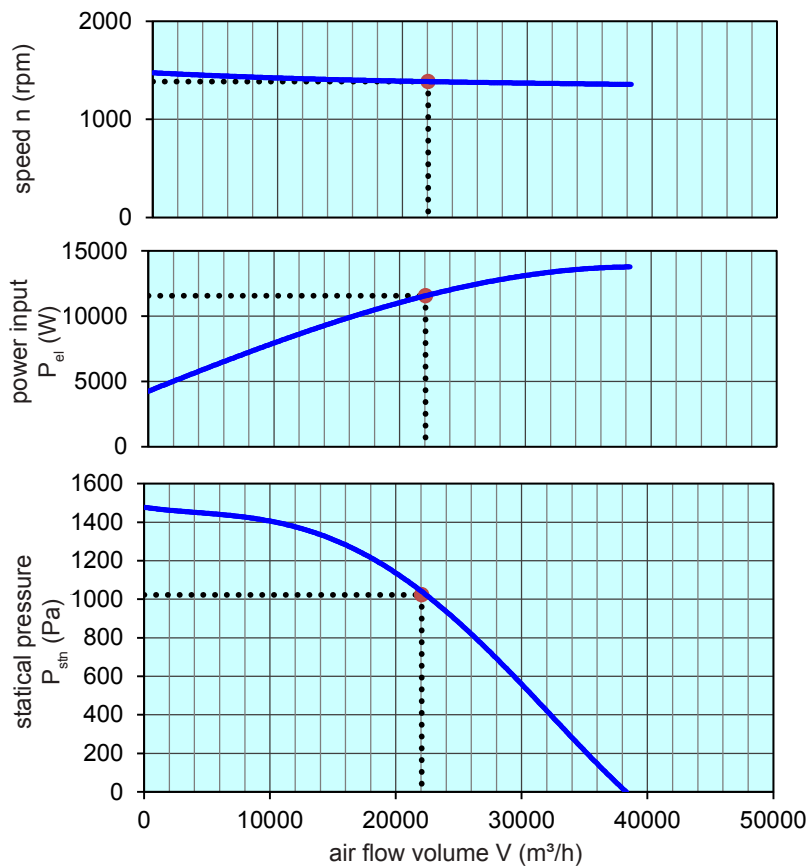
main voltage:	(V)	400 (3~)
frequency:	(Hz)	50
current max.:	(A)	29,3
power input max.:	(kW)	13,9
air flow volume max.:	(m³/h)	38330
statical pressure max.:	(Pa)	1467
speed max.:	(rpm)	1472
supply air temperature:	(°C)	-25... +60
capacitor:	(µF)	-

\*\* not suitable for distribution in EU countries, please choose an appropriate EC fan or contact our technical department

**ErP-Data:**

total efficiency fan ( $\eta_e$ ):	(%)	58,5
installation category:		A
efficiency category:		static
efficiency grade: N	(%)	58
target efficiency ( $\eta_{target}$ ):	(%)	58,5
speed controller		no
year of manufacturing		since 2015
manufacturer:	Fischbach Luft- und Ventilatorentechnik GmbH D-57290 Neunkirchen / HRB 5804 Siegen	
order no.:		18414130
power input:	(kW)	11,3
air flow volume:	(m³/h)	22200
statical pressure:	(Pa)	1070
speed:	(rpm)	1385
specific ratio:		1

disassembling/recycling/disposal: see page decommission  
 installation/operation/maintenance: see operating and mounting instructions  
 measurement for determination of efficiency without additional items



Speed controller / accessories / sound data, please see in the appropriate table

Technical documentation according to page: **General information**