

Series: ROOF TOP UNIT TYPE 41, norm
 with FISCHBACH COMPACT FAN
 Type D/DS with forward curved blades

FISCHBACH
 Luft- und Ventilatorentechnik GmbH

Type: 41.407 DS9-001/D5

ERP KONFORM

CE -conform

UK
CA



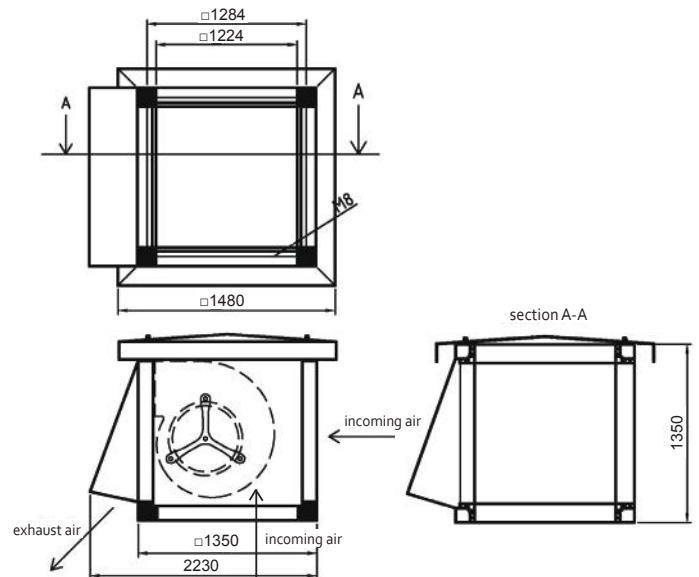
manufacturer:

Fischbach Luft- und Ventilatorentechnik GmbH
 Am Hellerberg 22-24
 D-57290 Neunkirchen
 phone: ++49(0)2735/777-0
 telefax: ++49(0)2735/770-133
 internet: www.fischbach-luft.de
 email: info@fischbach-luft.de

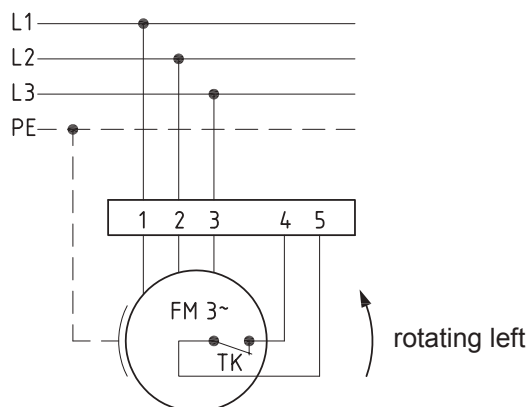
++49(0)2735/777-0
 ++49(0)2735/770-133
 www.fischbach-luft.de
 info@fischbach-luft.de

Technical Data

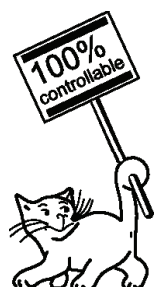
weight: (kg) 200
 mat. housing: Alu-Kunststoffrahmen Seitenteile verzinkt/aluminumplastic
 steel, galvanized aluminium/plastique acier galvanisé
 material impeller: verzinkt /steel, galvanized/acier galvanisé
 direction of rotation: links/left/à gauche
 motor protection class: IP 65
 insulation class: F
 motor protection: thermal contact



connection plan
 0.13-2 I.



the silent one



Series: ROOF TOP UNIT TYPE 41, norm
with FISCHBACH COMPACT FAN
Type D/DS with forward curved blades

FISCHBACH
Luft- und Ventilatorentechnik GmbH

Type: 41.407 DS9-001/D5

Erp 2013 2015 x 2018

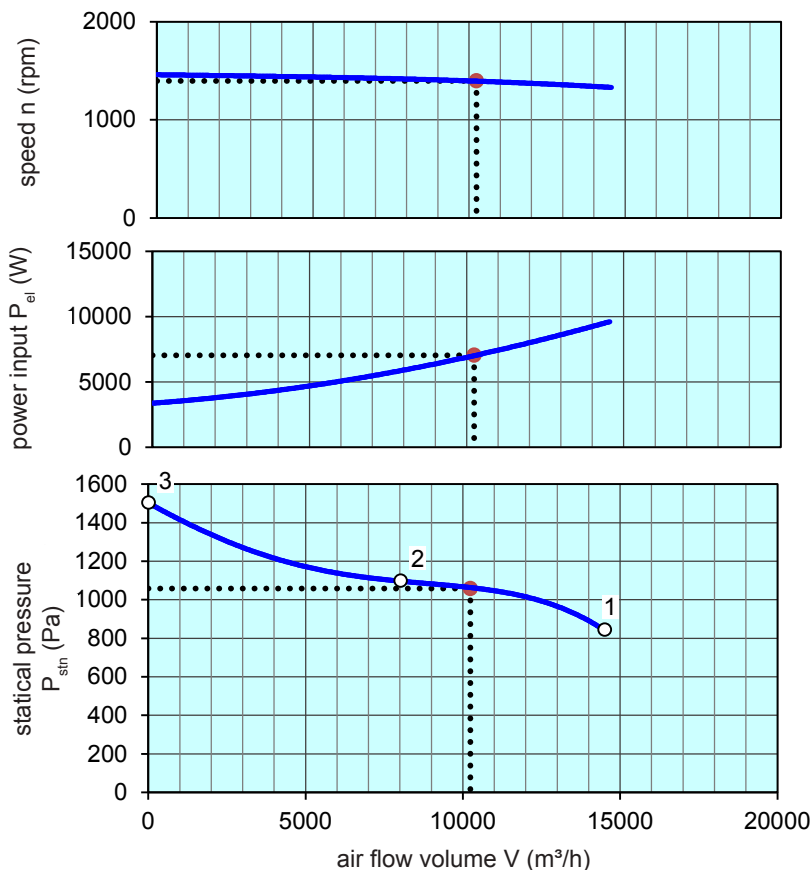
Performance data

main voltage:	(V)	400 (3~)
frequency:	(Hz)	50
current max.:	(A)	19,5
power input max.:	(kW)	9,6
air flow volume max.:	(m³/h)	14560
statical pressure max.:	(Pa)	1500
speed max.:	(rpm)	1458
supply air temperature:	(°C)	-20...
siehe Diagramm/see diagram/voir diagramme		
capacitor:	(µF)	-

ErP-Data:

total efficiency fan (η_e):	(%)	43,0
installation category:		A
efficiency category:		static
efficiency grade: N	(%)	44
target efficiency (η_{target}):	(%)	43,0
speed controller		no
year of manufacturing		since 2015
manufacturer: Fischbach Luft- und Ventilatorentechnik GmbH D-57290 Neunkirchen / HRB 5804 Siegen		
order no.		58414070
power input:	(kW)	7,0
air flow volume:	(m³/h)	10240
statical pressure:	(Pa)	1058
speed:	(rpm)	1393
specific ratio:		1

disassembling/recycling/disposal: see page decommission
installation/operation/maintenance: see operating and mounting instructions
measurement for determination of efficiency without additional items



max. permissible ambient temperature from point 1-2: 40°C
2-3: 60°C

Speed controller / accessories / sound data, please see in the appropriate table

Technical documentation according to page: **General information**