

**Series: ROOF TOP UNIT TYPE 41, norm**  
 with FISCHBACH COMPACT FAN  
 Type D/DS with forward curved blades

**FISCHBACH**  
 Luft- und Ventilatorentechnik GmbH

**Type: 41.310 DS9-070/D5**

ERP KONFORM

CE -conform

UK  
CA



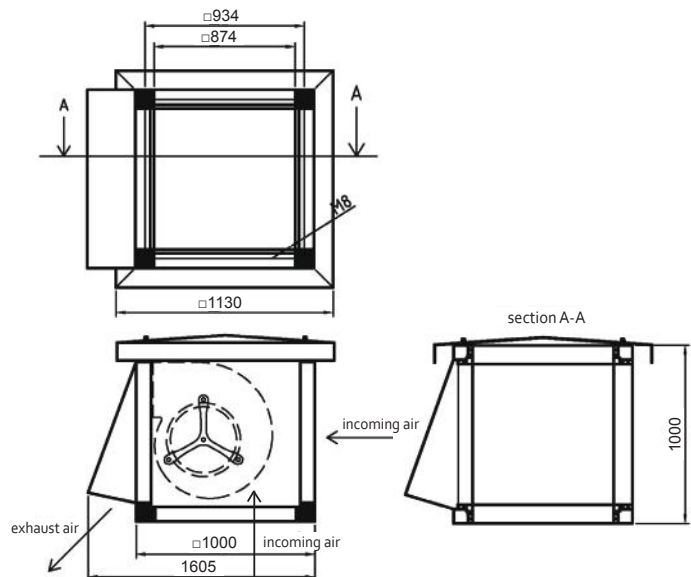
**manufacturer:**

Fischbach Luft- und Ventilatorentechnik GmbH  
 Am Hellerberg 22-24  
 D-57290 Neunkirchen  
 phone:  
 telefax:  
 internet:  
 email:

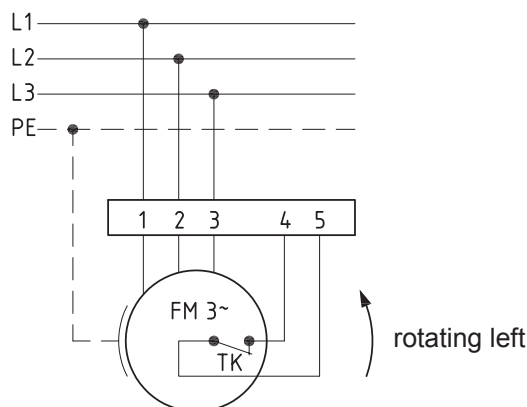
++49(0)2735/777-0  
 ++49(0)2735/770-133  
 www.fischbach-luft.de  
 info@fischbach-luft.de

**Technical Data**

weight: (kg) 150  
 mat. housing: Alu-Kunststoffrahmen Seitenteile verzinkt/aluminumplastic  
 steel, galvanized aluminium/plastique acier galvanisé  
 material impeller: verzinkt /steel, galvanized/acier galvanisé  
 direction of rotation: links/left/à gauche  
 motor protection class: IP 65  
 insulation class: F  
 motor protection: thermal contact



**connection plan**  
 0.13-2 I.



the silent one



**Series: ROOF TOP UNIT TYPE 41, norm**  
with FISCHBACH COMPACT FAN  
Type D/DS with forward curved blades

**FISCHBACH**  
Luft- und Ventilatorentechnik GmbH

## Type: 41.310 DS9-070/D5

Erp 2013 2015 x 2018

### Performance data

main voltage:	(V)	400 (3~)
frequency:	(Hz)	50
current max.:	(A)	18,1
power input max.:	(kW)	9,2
air flow volume max.:	(m³/h)	14025
statical pressure max.:	(Pa)	1288
speed max.:	(rpm)	1428
supply air temperature:	(°C)	-20...
siehe Diagramm/see diagram/voir diagramme		
capacitor:	(µF)	-

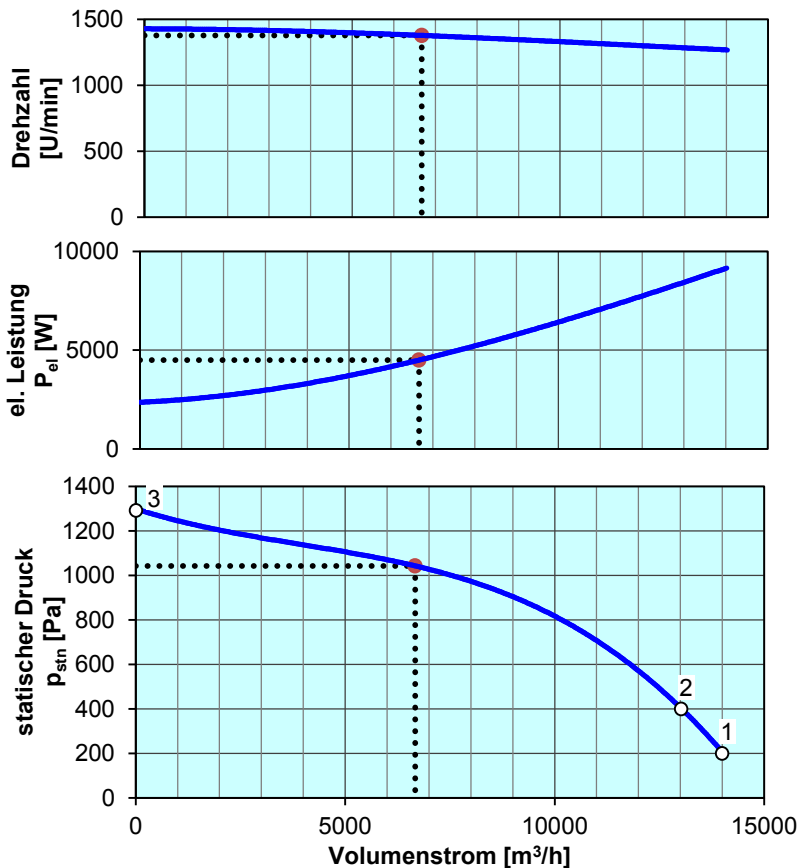
### ErP-Data:

total efficiency fan ( $\eta_e$ ):	(%)	42,9
installation category:		A
efficiency category:		static
efficiency grade: N	(%)	44
target efficiency ( $\eta_{target}$ ):	(%)	41,8
speed controller		no
year of manufacturing		since 2015
manufacturer: Fischbach Luft- und Ventilatorentechnik GmbH D-57290 Neunkirchen / HRB 5804 Siegen		
order no.		58413100
power input:	(kW)	4,5
air flow volume:	(m³/h)	6671
statical pressure:	(Pa)	1042
speed:	(rpm)	1378
specific ratio:		1

disassembling/recycling/disposal: see page decommission

installation/operation/maintenance: see operating and mounting instructions

measurement for determination of efficiency without additional items



max. Umgebungstemperatur ab Punkt 1-2: 30°C  
2-3: 60°C

**Speed controller / accessories / sound data**, please see in the appropriate table

Technical documentation according to page: **General information**