

Series: ROOF TOP UNIT TYPE 40, flat
 with FISCHBACH COMPACT FAN
 Type CE with forward curved blades

FISCHBACH

Luft- und Ventilatorentechnik GmbH

Type: 40-3/2 CE790/E35

ERP KONFORM

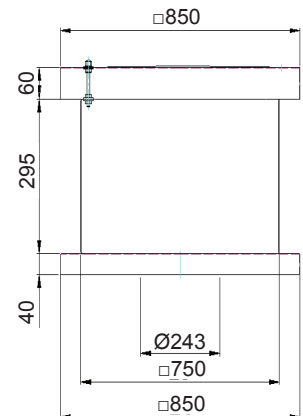
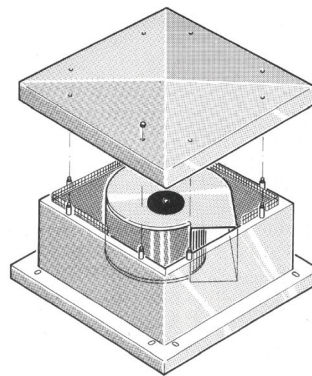
CE -conform



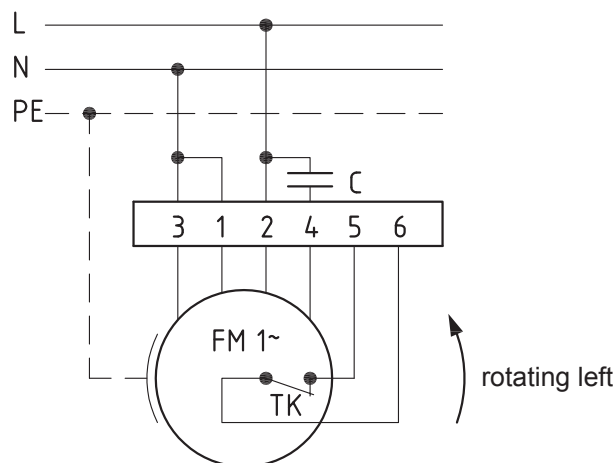
manufacturer:
 Fischbach Luft- und Ventilatorentechnik GmbH
 Am Hellerberg 22-24
 D-57290 Neunkirchen
 phone: ++49(0)2735/777-0
 telefax: ++49(0)2735/770-625
 internet: www.fischbach-luft.de
 email: info@fischbach-luft.de

Technical Data

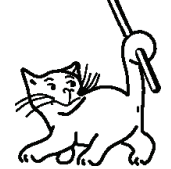
weight:	(kg)	28
material housing:	steel, galvanized	
material impeller:	steel, galvanized	
direction of rotation:	left	
motor protection class:	IP 65	
insulation class:	F	
motor protection:	thermal contact	



connection plan
 0.11-1 I.



100%
 controllable



the silent one

Series: ROOF TOP UNIT TYPE 40, flat
 with FISCHBACH COMPACT FAN
 Type CE with forward curved blades

FISCHBACH
 Luft- und Ventilatorentechnik GmbH

Type: 40-3/2 CE790/E35

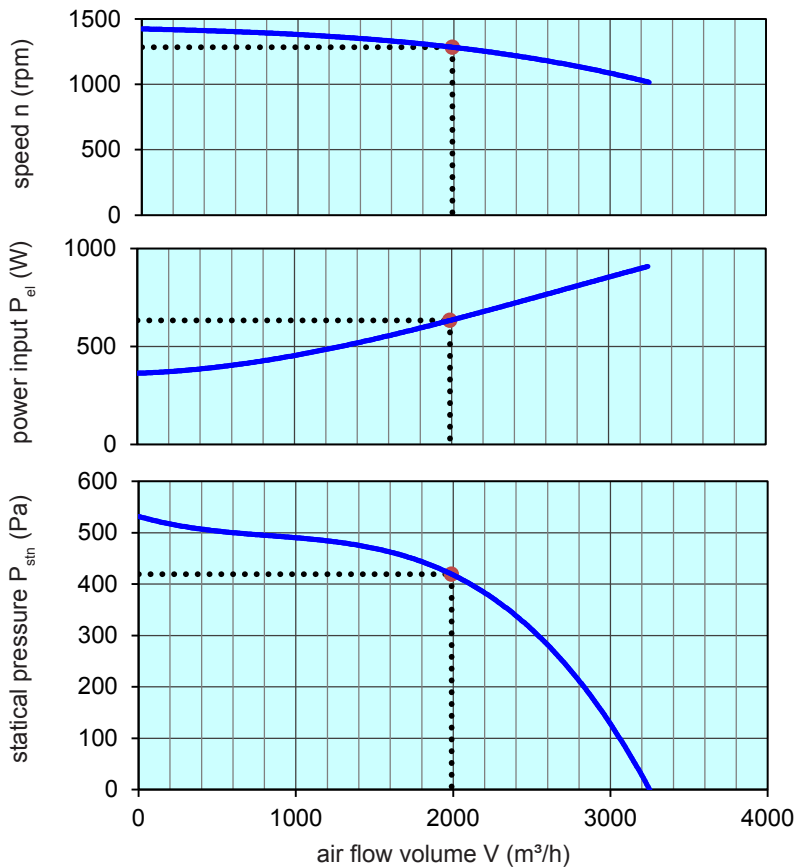
Erp 2013 2015 x 2018

Performance data

main voltage:	(V)	230 (1~)
frequency:	(Hz)	50
current max.:	(A)	4,6
power input max.:	(kW)	0,96
air flow volume max.:	(m³/h)	3250
statical pressure max.:	(Pa)	525
speed max.:	(rpm)	1420
supply air temperature:	(°C)	-25... +60
capacitor:	(µF)	20

ErP-Data:

total efficiency fan (η_e):	(%)	37,6
installation category:		A
efficiency category:		static
efficiency grade: N	(%)	44
target efficiency (η_{target}):	(%)	36,4
speed controller		no
year of manufacturing		since 2015
manufacturer:	Fischbach Luft- und Ventilatorentechnik GmbH D-57290 Neunkirchen / HRB 5804 Siegen	
order no.:		18040030
power input:	(kW)	0,62
air flow volume:	(m³/h)	2000
statical pressure:	(Pa)	420
speed:	(rpm)	1284
specific ratio:		1
disassembling/recycling/disposal: see page decommission		
installation/operation/maintenance: see operating and mounting instructions		
measurement for determination of efficiency without additional items		



Speed controller / accessories / sound data, please see in the appropriate table

Technical documentation according to page: **General information**