

Series: ROOF TOP UNIT TYPE 42

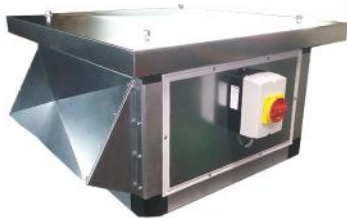
with freewheeling impeller with backward curved blades

FISCHBACH

Luft- und Ventilatorentechnik GmbH

EC-MOTOR
EC-MOTEUR

Type: 42.102-EC FLR400/EM25 **ERP KONFORM**



manufacturer:

Fischbach Luft- und Ventilatorentechnik GmbH

Am Hellerberg 22-24

D-57290 Neunkirchen

phone:

++49(0)2735/777-0

telefax:

++49(0)2735/770-133

internet:

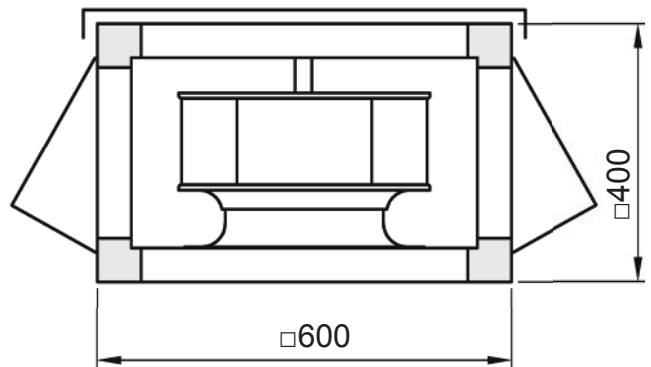
www.fischbach-luft.de

email:

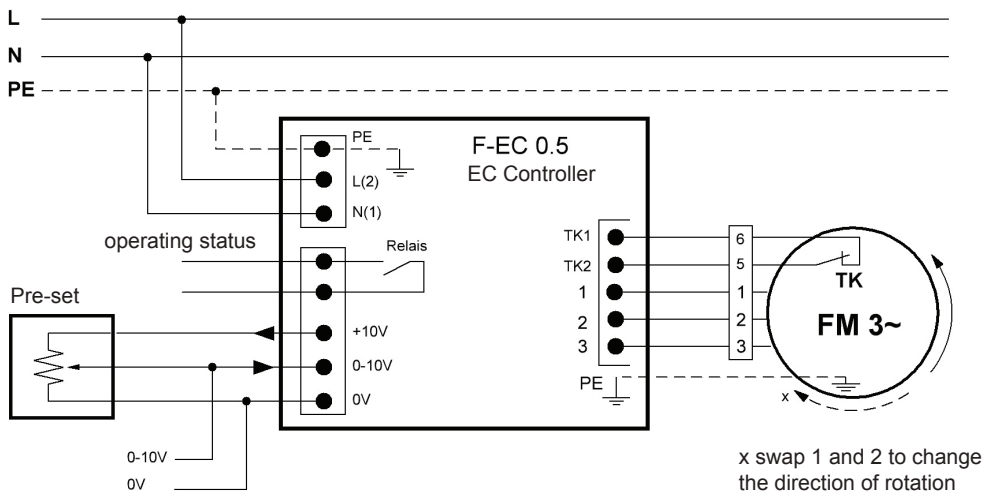
info@fischbach-luft.de

Technical Data

weight:	(kg)	35
material housing:	aluminumplastic steel/ galvanized aluminium	
material impeller:	aluminium	
direction of rotation:	right	
motor protection class:	IP 65	
insulation class:	F	
motor protection:	thermal contact	



**connection plan *
F-EC 0.5**



* Connection only according to the enclosed technical documentation.

the silent one



Series: ROOF TOP UNIT TYPE 42

with freewheeling impeller with backward curved blades

FISCHBACH

Luft- und Ventilatorentechnik GmbH

EC-MOTOR
EC-MOTEUR

Type: 42.102-EC FLR400/EM25

Erp 2013 2015 2018 x

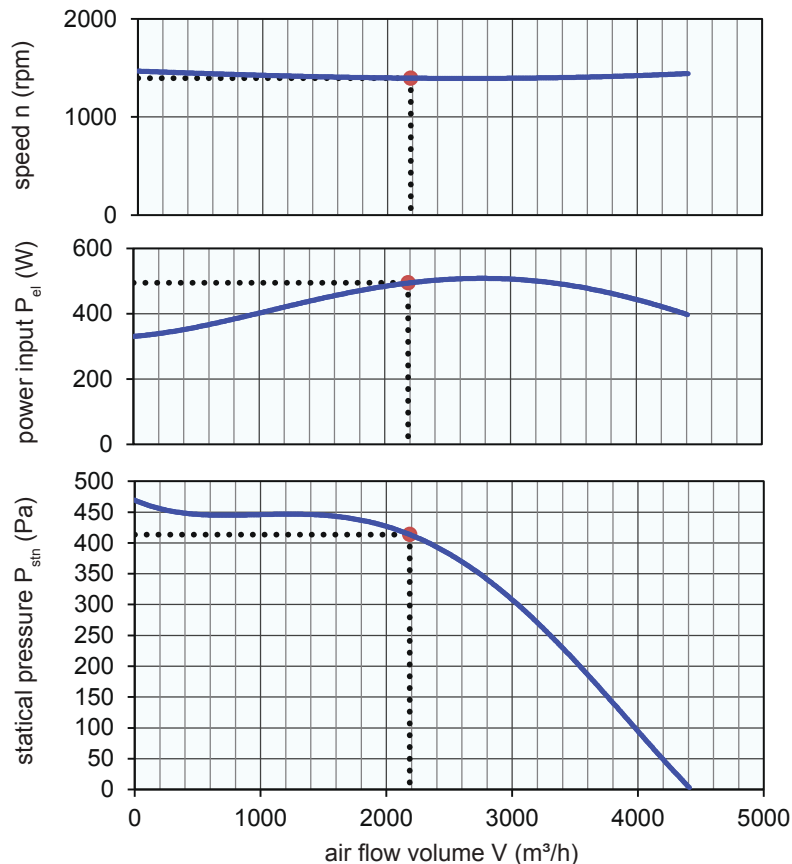
Performance data

main voltage:	(V)	230 (1~)
frequency:	(Hz)	50
current max.:	(A)	3,4
power input max.:	(kW)	0,51
air flow volume max.:	(m³/h)	4400
statical pressure max.:	(Pa)	470
speed max.:	(rpm)	1473
supply air temperature:	(°C)	-20... +50
capacitor:	(µF)	-

ErP-Data:

total efficiency fan (η_e):	(%)	56,8
installation category:		A
efficiency category:		static
efficiency grade: N	(%)	62
target efficiency (η_{target}):	(%)	48,2
speed controller		yes
year of manufacturing		since 2015
manufacturer:	Fischbach Luft- und Ventilatorentechnik GmbH D-57290 Neunkirchen / HRB 5804 Siegen	
order no.		58415120
power input:	(kW)	0,49
air flow volume:	(m³/h)	2185
statical pressure:	(Pa)	413
speed:	(rpm)	1420
specific ratio:		1

disassembling/recycling/disposal: see page decommission
installation/operation/maintenance: see operating and mounting instructions
measurement for determination of efficiency without additional items



EC-controller included / accessories / sound data, please see in the appropriate table

Technical documentation according to page: **General information**