

Series: ROOF TOP UNIT TYPE 40 , flat
 with FISCHBACH COMPACT FAN
 Type CE with forward curved blades

FISCHBACH
 Luft- und Ventilatorentechnik GmbH

EC-MOTOR
 EC-MOTEUR

Type: 40-3/1-EC CE670/EM25

ERP KONFORM

CE -conform

UK
 CA



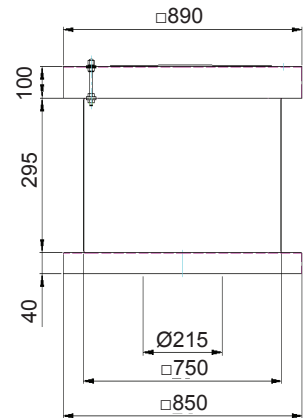
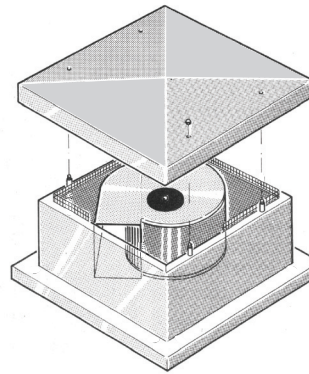
manufacturer:

Fischbach Luft- und Ventilatorentechnik GmbH
 Am Hellerberg 22-24
 D-57290 Neunkirchen
 phone: ++49(0)2735/777-0
 telefax: ++49(0)2735/770-133
 internet: www.fischbach-luft.de
 email: info@fischbach-luft.de

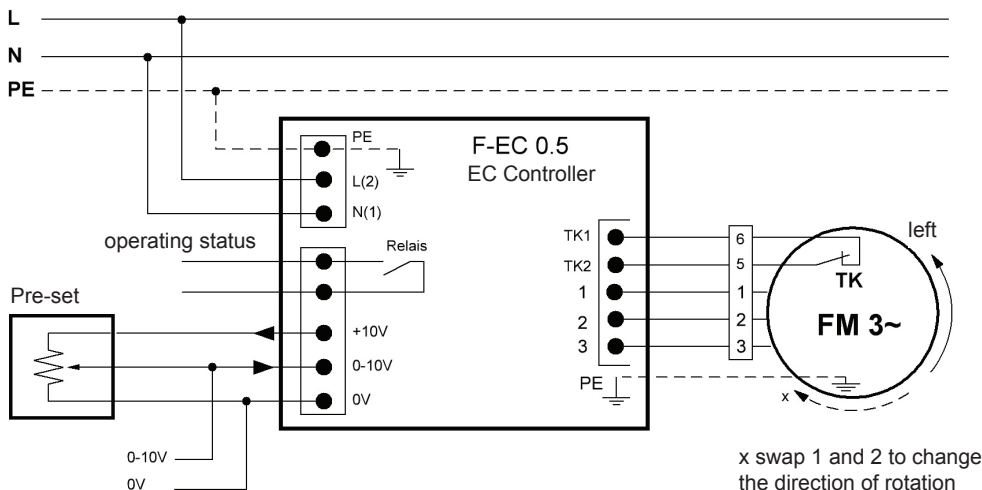
++49(0)2735/777-0
 ++49(0)2735/770-133
 www.fischbach-luft.de
 info@fischbach-luft.de

Technical Data

weight:	(kg)	45
material housing:	steel, galvanized	
material impeller:	steel, galvanized	
direction of rotation:	left	
motor protection class:	IP 65	
insulation class:	F	
motor protection:	thermal contact	



**connection plan *
 F-EC 0.5**



* Connection only according to the enclosed technical documentation.

the silent one



Series: ROOF TOP UNIT TYPE 40 , flat
 with FISCHBACH COMPACT FAN
 Type CE with forward curved blades

FISCHBACH
 Luft- und Ventilatorentechnik GmbH

EC-MOTOR
 EC-MOTEUR

Type: 40-3/1-EC CE670/EM25

Erp 2013 2015 2018 x

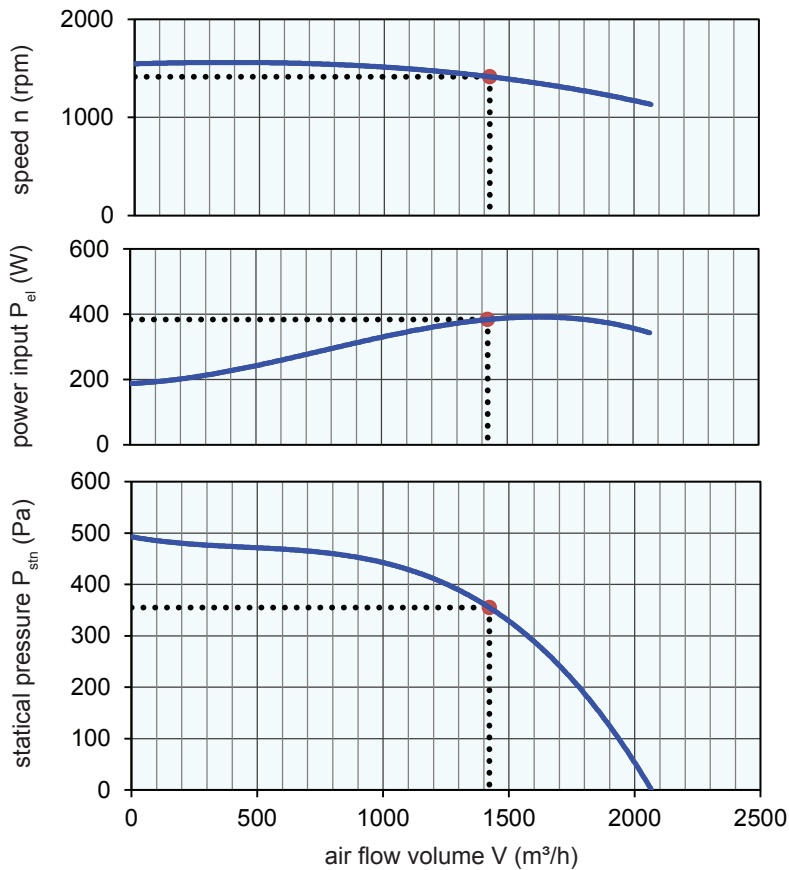
Performance data

main voltage:	(V)	230 (1~)
frequency:	(Hz)	50
current max.:	(A)	2,9
power input max.:	(kW)	0,4
air flow volume max.:	(m³/h)	2067
statical pressure max.:	(Pa)	493
speed max.:	(rpm)	1554
supply air temperature:	(°C)	-20... +50
capacitor:	(µF)	-

ErP-Data:

total efficiency fan (η_e):	(%)	40,1
installation category:		A
efficiency category:		static
efficiency grade: N	(%)	42
target efficiency (η_{target}):	(%)	36,2
speed controller		yes
year of manufacturing		since 2015
manufacturer:	Fischbach Luft- und Ventilatorentechnik GmbH D-57290 Neunkirchen / HRB 5804 Siegen	
order no.		58040029
power input:	(kW)	0,39
air flow volume:	(m³/h)	1422
statical pressure:	(Pa)	355
speed:	(rpm)	1414
specific ratio:		1

disassembling/recycling/disposal: see page decommission
 installation/operation/maintenance: see operating and mounting instructions
 measurement for determination of efficiency without additional items



EC-controller included / accessories / sound data, please see in the appropriate table

Technical documentation according to page: **General information**