

**Series:** COMPACT-FAN Type D/DS  
 double inlet  
 with forward curved blades

**FISCHBACH**

Luft- und Ventilatorentechnik GmbH

**Type:** D970/D2

ERP KONFORM

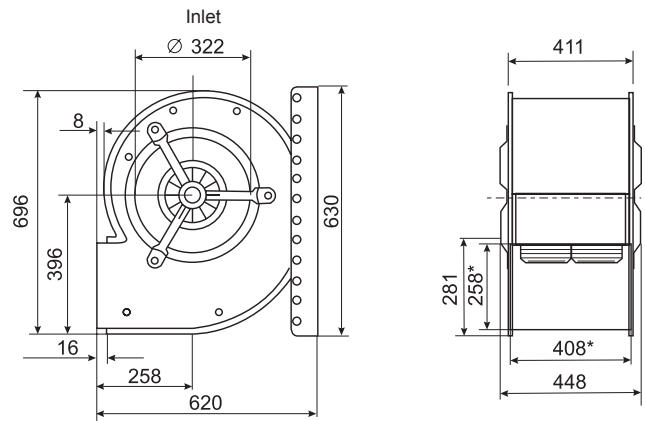
CE -conform



**manufacturer:**  
 Fischbach Luft- und Ventilatorentechnik GmbH  
 Am Hellerberg 22-24  
 D-57290 Neunkirchen  
 phone: ++49(0)2735/777-0  
 telefax: ++49(0)2735/770-625  
 internet: www.fischbach-luft.de  
 email: info@fischbach-luft.de

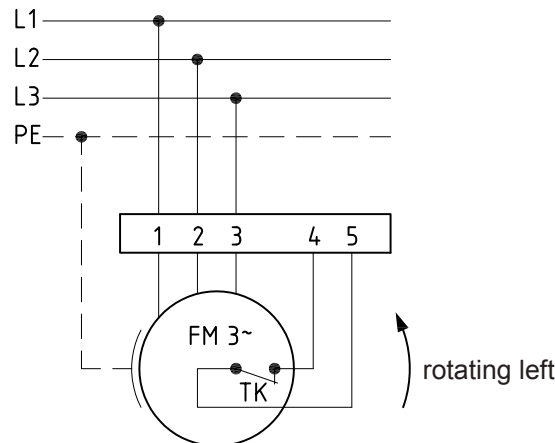
**Technical Data**

weight:	(kg)	60
material housing:	steel, galvanized	
material impeller:	steel, galvanized	
direction of rotation:	left	
protection class:	IP 65	
insulation class:	F	
motor protection:	thermal contact	



\*external dimension of discharge

**connection plan**  
 0.13-2 I.



the silent one

**Series: COMPACT-FAN Type D/DS**

double inlet  
with forward curved blades

**FISCHBACH**

Luft- und Ventilatorentechnik GmbH

**Type: D970/D2**

ErP 2013 2015 x 2018

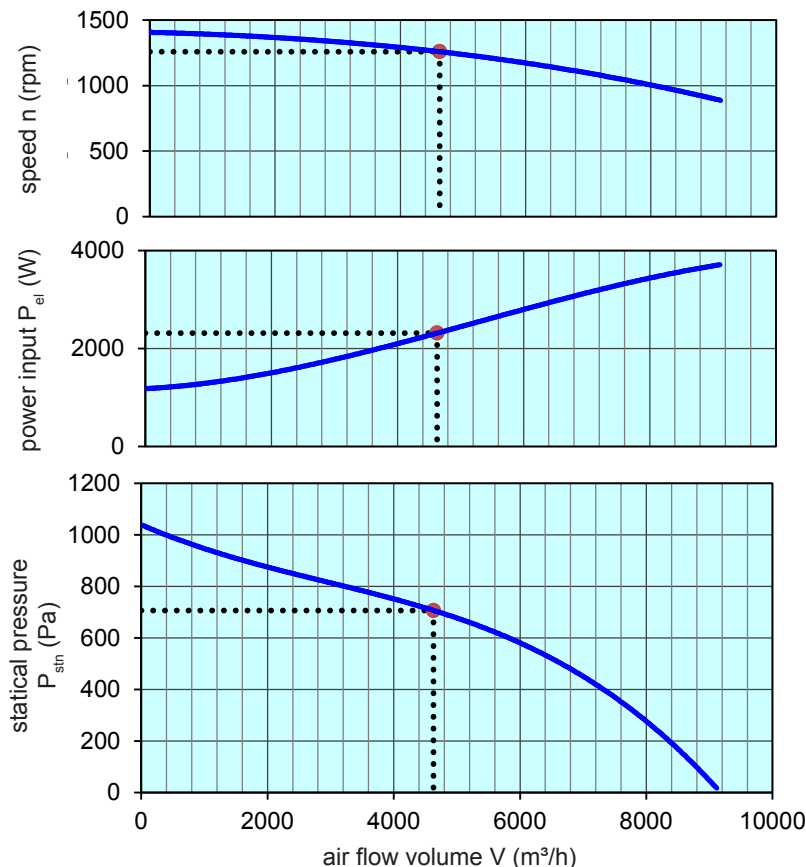
**Performance data**

main voltage:	(V)	400 (3~)
frequency:	(Hz)	50
current max.:	(A)	7,3
power input max.:	(kW)	3,7
air flow volume max.:	(m³/h)	9114
statical pressure max.:	(Pa)	1000
speed max.:	(rpm)	1401
supply air temperature:	(°C)	-25... +60
capacitor:	(µF)	-

**ErP-Data:**

total efficiency fan ( $\eta_e$ ):	(%)	40,0
installation category:		A
efficiency category:		static
efficiency grade: N	(%)	44
target efficiency ( $\eta_{target}$ ):	(%)	39,9
speed controller		no
year of manufacturing		since 2015
manufacturer:	Fischbach Luft- und Ventilatorentechnik GmbH D-57290 Neunkirchen / HRB 5804 Siegen	
order no.		18011962
power input:	(kW)	2,3
air flow volume:	(m³/h)	4650
statical pressure:	(Pa)	712
speed:	(rpm)	1258
specific ratio:		1

disassembling/recycling/disposal: see page decommission  
installation/operation/maintenance: see operating and mounting instructions  
measurement for determination of efficiency without additional items



**Speed controller / accessories / sound data**, please see in the appropriate table

Technical documentation according to page: **General information**