

Series: COMPACT-FAN Type D/DS

double inlet
with forward curved blades

FISCHBACH

Luft- und Ventilatorentechnik GmbH

Type: D730/E35

ERP KONFORM

CE -conform



manufacturer:

Fischbach Luft- und Ventilatorentechnik GmbH
Am Hellerberg 22-24
D-57290 Neunkirchen

phone: ++49(0)2735/777-0

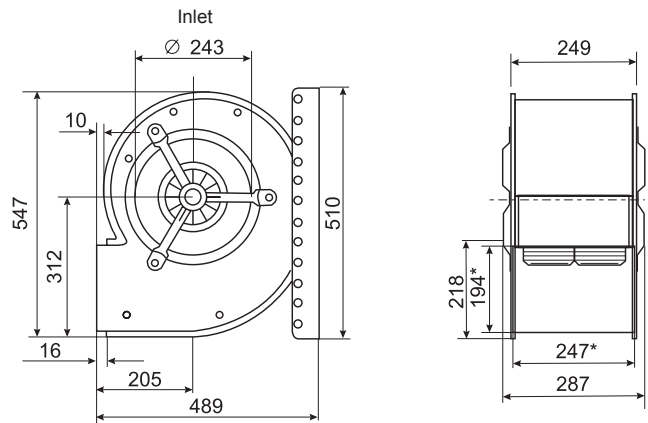
telefax: ++49(0)2735/770-625

internet: www.fischbach-luft.de

email: info@fischbach-luft.de

Technical Data

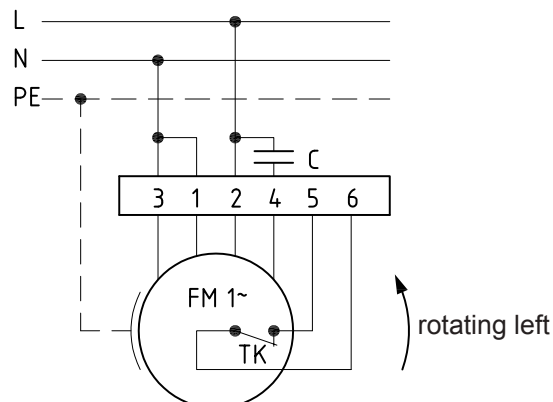
weight:	(kg)	25
material housing:	steel, galvanized	
material impeller:	steel, galvanized	
direction of rotation:	left/right	
protection class:	IP 65	
insulation class:	F	
motor protection:	thermal contact	



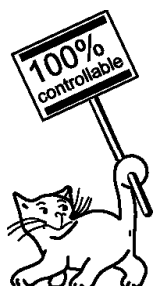
*external dimension of discharge

connection plan

0.11-1 I.



the silent one



Series: COMPACT-FAN Type D/DSdouble inlet
with forward curved blades**FISCHBACH**

Luft- und Ventilatorentechnik GmbH

Type: D730/E35

ErP 2013 2015 x 2018

Performance data

main voltage:	(V)	230 (1~)
frequency:	(Hz)	50
current max.:	(A)	5,0
power input max.:	(kW)	1,1
air flow volume max.:	(m³/h)	3650
statical pressure max.:	(Pa)	590
speed max.:	(rpm)	1423
supply air temperature:	(°C)	-25...+70
capacitor:	(µF)	25

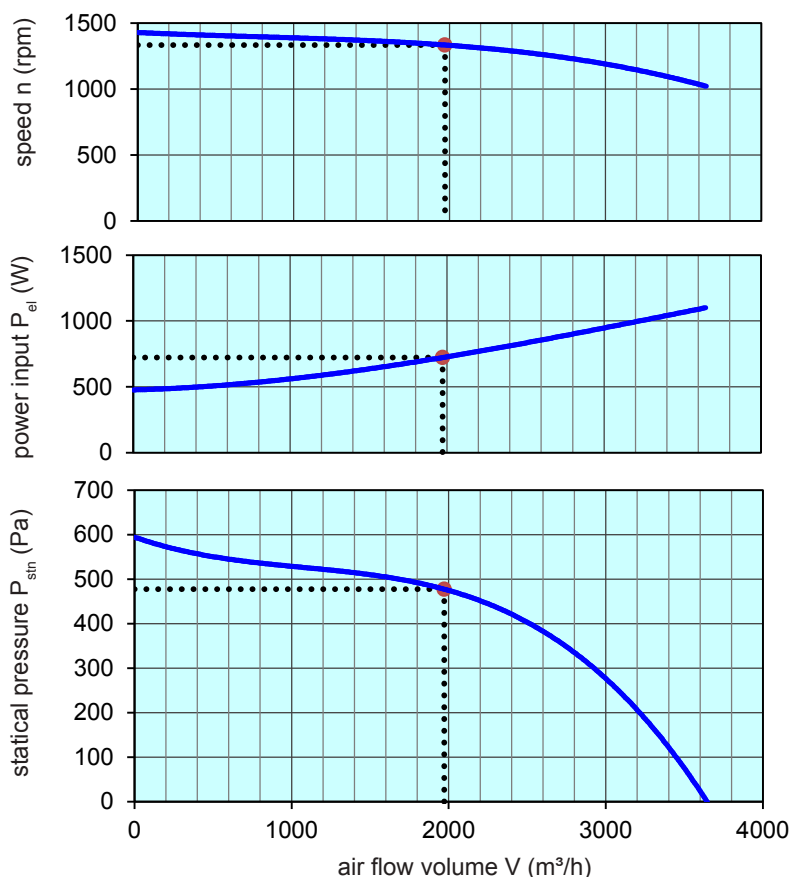
ErP-Data:

total efficiency fan (η_e):	(%)	36,8
installation category:		A
efficiency category:		static
efficiency grade: N	(%)	44
target efficiency (η_{target}):	(%)	36,8
speed controller		no
year of manufacturing		since 2015
manufacturer:	Fischbach Luft- und Ventilatorentechnik GmbH D-57290 Neunkirchen / HRB 5804 Siegen	
order no.		18016190
power input:	(kW)	0,72
air flow volume:	(m³/h)	1985
statical pressure:	(Pa)	480
speed:	(rpm)	1333
specific ratio:		1

disassembling/recycling/disposal: see page decommission

installation/operation/maintenance: see operating and mounting instructions

measurement for determination of efficiency without additional items

**Speed controller / accessories / sound data**, please see in the appropriate tableTechnical documentation according to page: **General information**