

Series: COMPACT-FAN Type D/DS

double inlet
with forward curved blades

FISCHBACH

Luft- und Ventilatorentechnik GmbH

Type: D540/E15

ERP KONFORM

CE -conform

UK
CA



manufacturer:

Fischbach Luft- und Ventilatorentechnik GmbH

Am Hellerberg 22-24

D-57290 Neunkirchen

phone:

++49(0)2735/777-0

telefax:

++49(0)2735/770-133

internet:

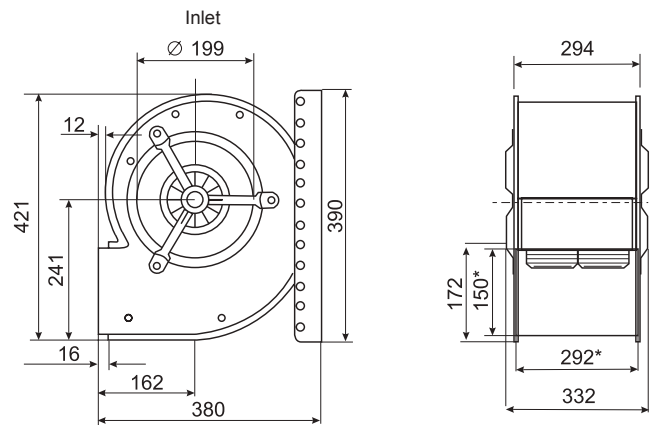
www.fischbach-luft.de

email:

info@fischbach-luft.de

Technical Data

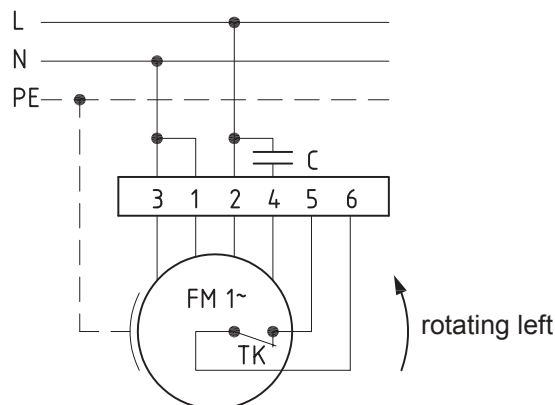
weight:	(kg)	16
material housing:	steel, galvanized	
material impeller:	steel, galvanized	
direction of rotation:	left	
motor protection class:	IP 65	
insulation class:	F	
motor protection:	thermal contact	



*external dimension of discharge

connection plan

0.11-1 I.



100%
controllable



the silent one

Series: COMPACT-FAN Type D/DS

double inlet
with forward curved blades

FISCHBACH

Luft- und Ventilatorentechnik GmbH

Type: D540/E15

Erp 2013 2015 x 2018

Performance data

main voltage: (V) 230 (1~)

frequency: (Hz) 50

current max.: (A) 2,0

power input max.: (kW) 0,44

air flow volume max.: (m³/h) 2346

statical pressure max.: (Pa) 420

speed max.: (rpm) 1384

supply air temperature: (°C) -20...+60

capacitor: (µF) 10

ErP-Data:

total efficiency fan (η_e): (%) 34,6

installation category: A

efficiency category: static

efficiency grade: N (%) 44

target efficiency (η_{target}): (%) 34,5

speed controller no

year of manufacturing since 2015

manufacturer: Fischbach Luft- und Ventilatorentechnik GmbH
D-57290 Neunkirchen / HRB 5804 Siegen

order no. 18011862

power input: (kW) 0,32

air flow volume: (m³/h) 1430

statical pressure: (Pa) 279

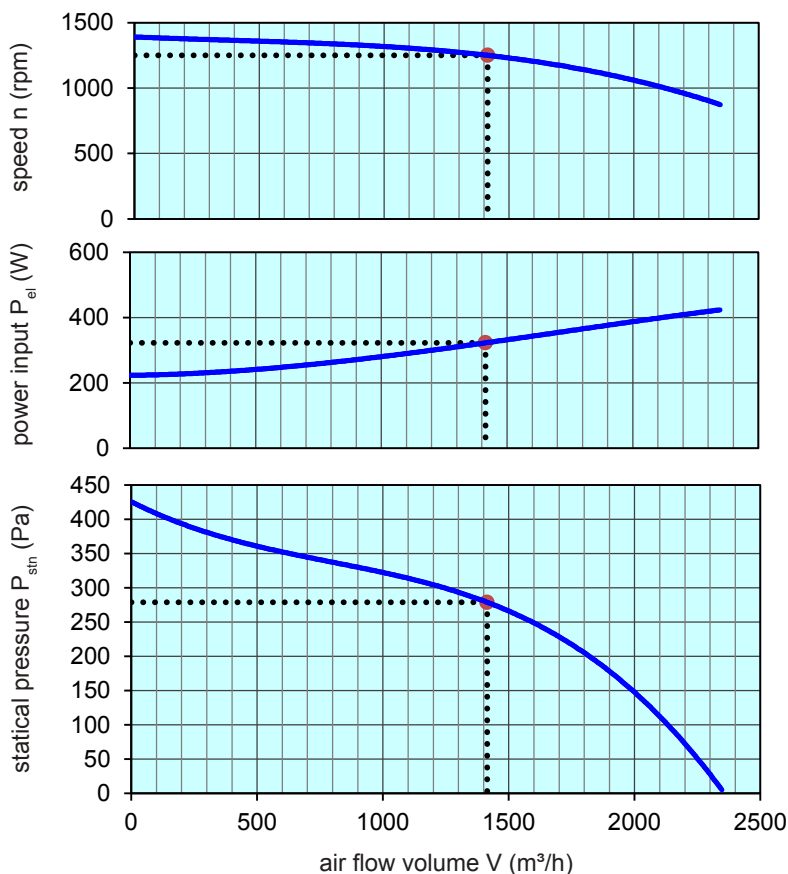
speed: (rpm) 1250

specific ratio: 1

disassembling/recycling/disposal: see page decommission

installation/operation/maintenance: see operating and mounting instructions

measurement for determination of efficiency without additional items



Speed controller / accessories / sound data, please see in the appropriate table

Technical documentation according to page: **General information**