

Series: COMPACT-FAN Type D/DS

double inlet
with forward curved blades

FISCHBACH

Luft- und Ventilatorentechnik GmbH

Type: D440/E15-R *



manufacturer:

Fischbach Luft- und Ventilatorentechnik GmbH

Am Hellerberg 22-24

D-57290 Neunkirchen

phone:

++49(0)2735/777-0

telefax:

++49(0)2735/770-133

internet:

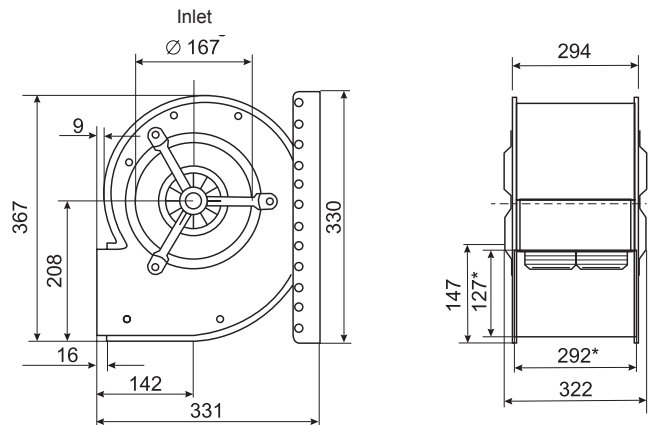
www.fischbach-luft.de

email:

info@fischbach-luft.de

Technical Data

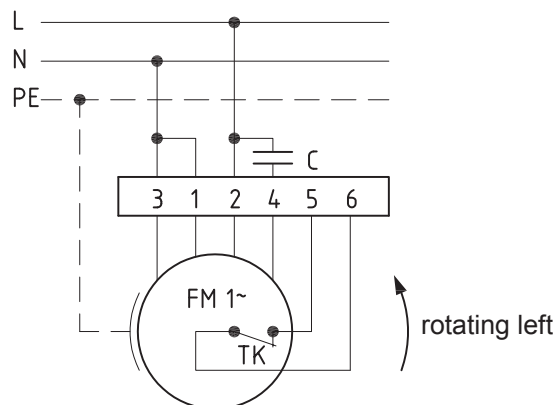
weight:	(kg)	13
material housing:	steel, galvanized	
material impeller:	steel, galvanized	
direction of rotation:	left	
motor protection class:	IP 65	
insulation class:	F	
motor protection:	thermal contact	



*external dimension of discharge

connection plan

0.11-1 I.



the silent one

Series: COMPACT-FAN Type D/DSdouble inlet
with forward curved blades**FISCHBACH**

Luft- und Ventilatorentechnik GmbH

Type: D440/E15-R *

Erp 2015 2016 2018

Performance data

main voltage:	(V)	230 (1~)
frequency:	(Hz)	50
current max.:	(A)	1,7
power input max.:	(kW)	0,36
air flow volume max.:	(m³/h)	2200
statical pressure max.:	(Pa)	320
speed max.:	(rpm)	1426
supply air temperature:	(°C)	-20...+60
capacitor:	(µF)	8

* not suitable for distribution in EU countries, please choose an appropriate EC fan or contact our technical department

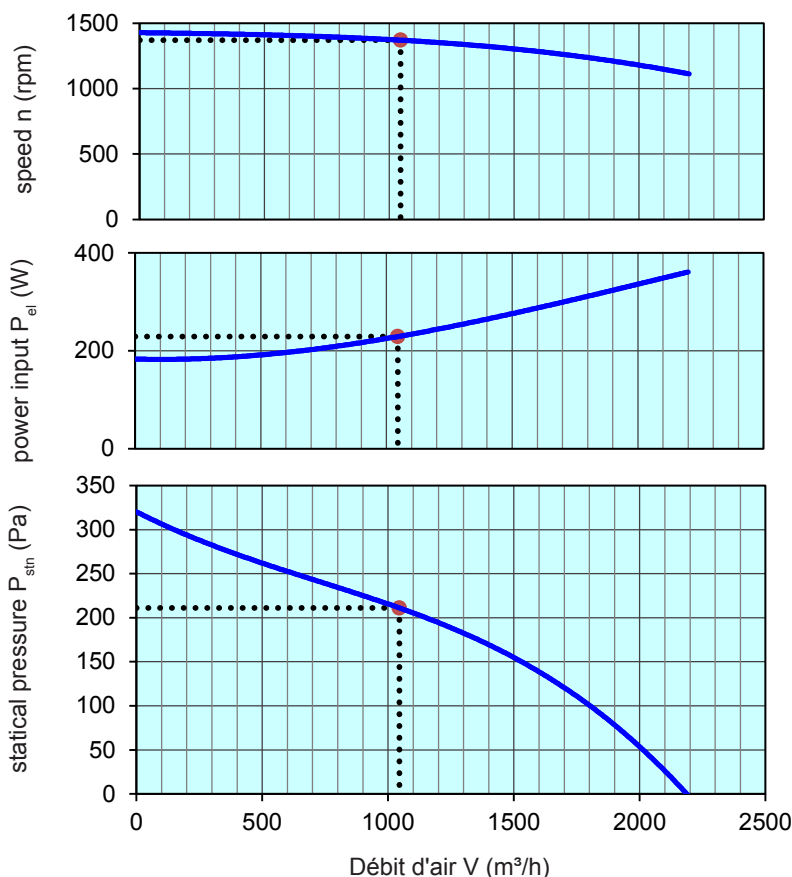
ErP-Data:

total efficiency fan (η_e):	(%)	27,1
installation category:		A
efficiency category:		static
efficiency grade: N	(%)	
target efficiency (η_{target}):	(%)	
speed controller		no
year of manufacturing		since 2015
manufacturer:	Fischbach Luft- und Ventilatorentechnik GmbH D-57290 Neunkirchen / HRB 5804 Siegen	
order no.		18011843
power input:	(kW)	0,23
air flow volume:	(m³/h)	1045
statical pressure:	(Pa)	215
speed:	(rpm)	1388
specific ratio:		1

disassembling/recycling/disposal: see page decommission

installation/operation/maintenance: see operating and mounting instructions

measurement for determination of efficiency without additional items



Speed controller / accessories / sound data, please see in the appropriate table

Technical documentation according to page: **General information**