

**Series:** COMPACT-FAN Type CFE

single inlet  
with forward curved blades

**FISCHBACH**

Luft- und Ventilatorentechnik GmbH

**Type:** CFE930/E80

ERP KONFORM

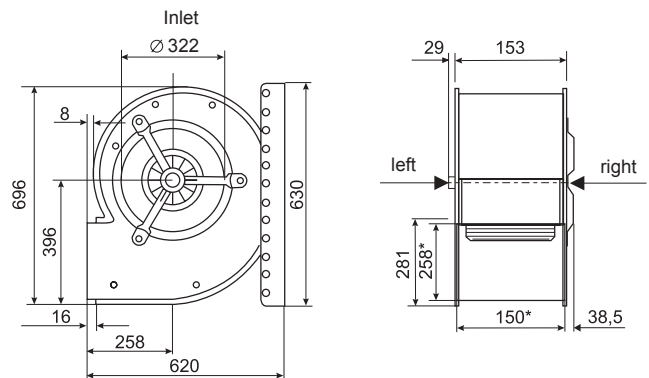
CE -conform



**manufacturer:**  
Fischbach Luft- und Ventilatorentechnik GmbH  
Am Hellerberg 22-24  
D-57290 Neunkirchen  
phone: ++49(0)2735/777-0  
telefax: ++49(0)2735/770-625  
internet: www.fischbach-luft.de  
email: info@fischbach-luft.de

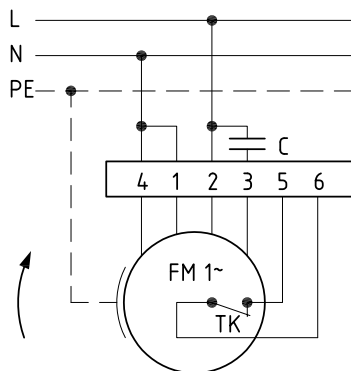
**Technical Data**

weight:	(kg)	28
material housing:	steel, galvanized	
material impeller:	steel, galvanized	
direction of rotation:	left/right	
protection class:	IP 65	
insulation class:	F	
motor protection:	thermal contact	



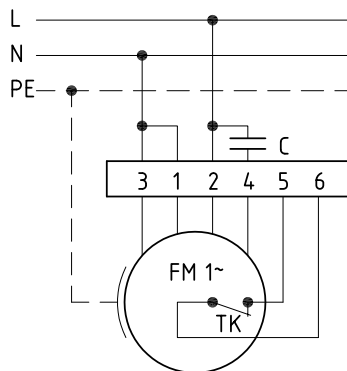
\*external dimension of discharge

connection plan  
0.11-1 r.



rotating right

connection plan  
0.11-1 l.



rotating left



the silent one

**Series: COMPACT-FAN Type CFE**

single inlet  
with forward curved blades

**FISCHBACH**

Luft- und Ventilatorentechnik GmbH

**Type: CFE930/E80**

Erp 2013 2015 x 2018

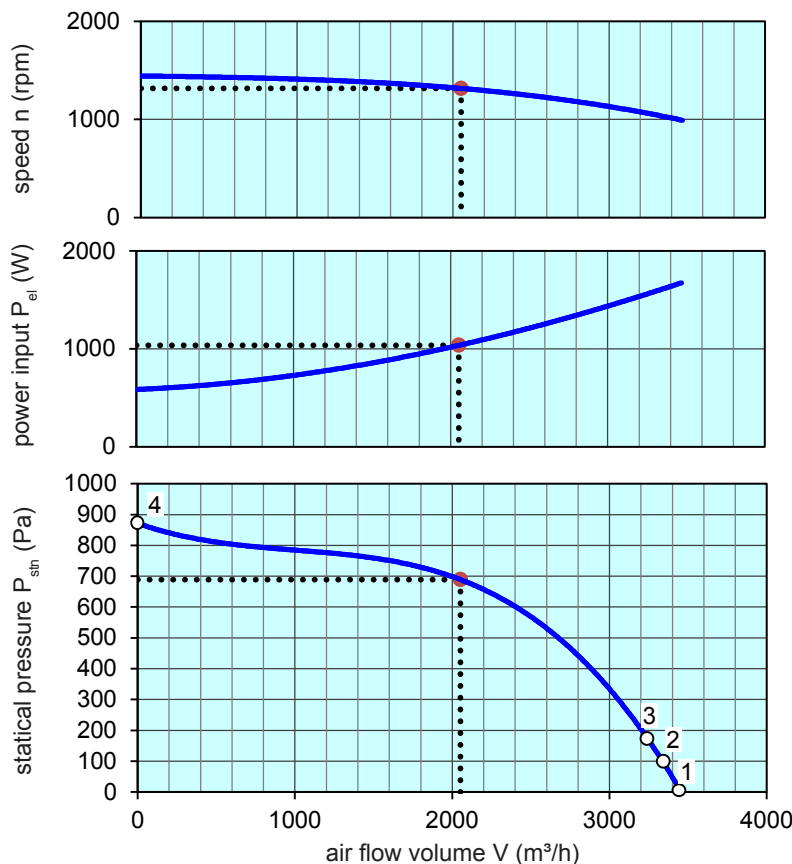
**Performance data**

main voltage:	(V)	230 (1~)
frequency:	(Hz)	50
current max.:	(A)	8,1
power input max.:	(kW)	1,8
air flow volume max.:	(m³/h)	3470
statical pressure max.:	(Pa)	850
speed max.:	(rpm)	1441
supply air temperature:	(°C)	-25... see diagram
capacitor:	(µF)	30

**ErP-Data:**

total efficiency fan ( $\eta_e$ ):	(%)	37,8
installation category:		A
efficiency category:		static
efficiency grade: N	(%)	44
target efficiency ( $\eta_{target}$ ):	(%)	37,8
speed controller		no
year of manufacturing		since 2015
manufacturer:	Fischbach Luft- und Ventilatorentechnik GmbH D-57290 Neunkirchen / HRB 5804 Siegen	
order no. le/ri		18021652/18021852
power input:	(kW)	1,04
air flow volume:	(m³/h)	2052
statical pressure:	(Pa)	689
speed:	(rpm)	1316
specific ratio:		1

disassembling/recycling/disposal: see page decommission  
installation/operation/maintenance: see operating and mounting instructions  
measurement for determination of efficiency without additional items



max. permissible ambient temperature from point  
1-2: 40°  
2-3: 50°  
3-4: 60°

**Speed controller / accessories / sound data**, please see in the appropriate table

Technical documentation according to page: **General information**