

Series: COMPACT-FAN Type CFE
 single inlet
 with forward curved blades

FISCHBACH
 Luft- und Ventilatorentechnik GmbH

Type: CFE8-940/D850

ERP KONFORM

CE -conform

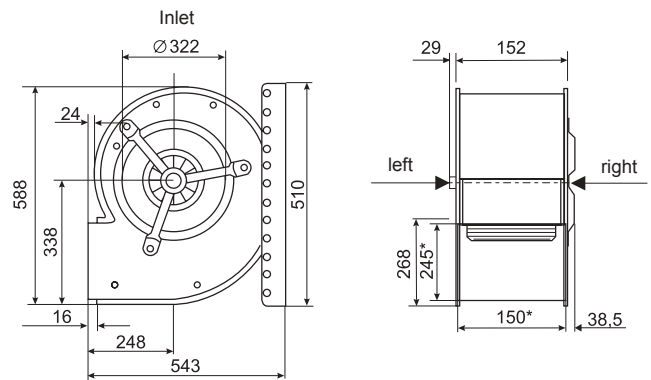
UK
CA



manufacturer:
 Fischbach Luft- und Ventilatorentechnik GmbH
 Am Hellerberg 22-24
 D-57290 Neunkirchen
 phone: ++49(0)2735/777-0
 telefax: ++49(0)2735/770-133
 internet: www.fischbach-luft.de
 email: info@fischbach-luft.de

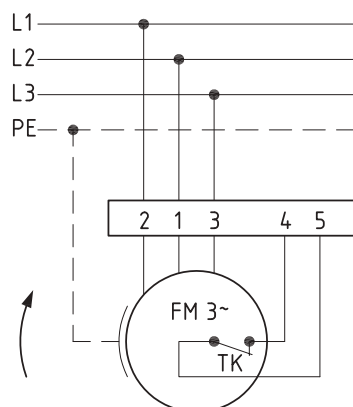
Technical Data

weight:	(kg)	32
material housing:	steel, galvanized	
material impeller:	steel, galvanized	
direction of rotation:	left/right	
motor protection class:	IP 65	
insulation class:	F	
motor protection:	thermal contact	



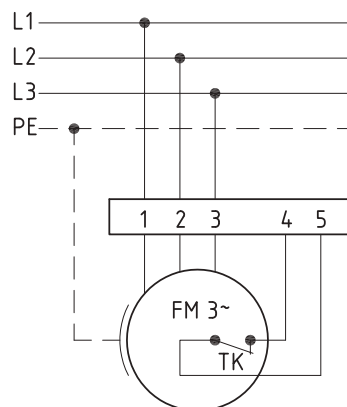
*external dimension of discharge

connection plan
0.13-2 r.



rotating right

connection plan
0.13-2 l.



rotating left

the silent one



Series: COMPACT-FAN Type CFEsingle inlet
with forward curved blades**FISCHBACH**

Luft- und Ventilatorentechnik GmbH

Type: CFE8-940/D850

Erp 2013 2015 x 2018

Performance data

main voltage:	(V)	400 (3~)
frequency:	(Hz)	50
current max.:	(A)	3,5
power input max.:	(kW)	1,9
air flow volume max.:	(m³/h)	3308
statical pressure max.:	(Pa)	780
speed max.:	(rpm)	1455
supply air temperature:	(°C)	-20...+50
capacitor:	(µF)	-

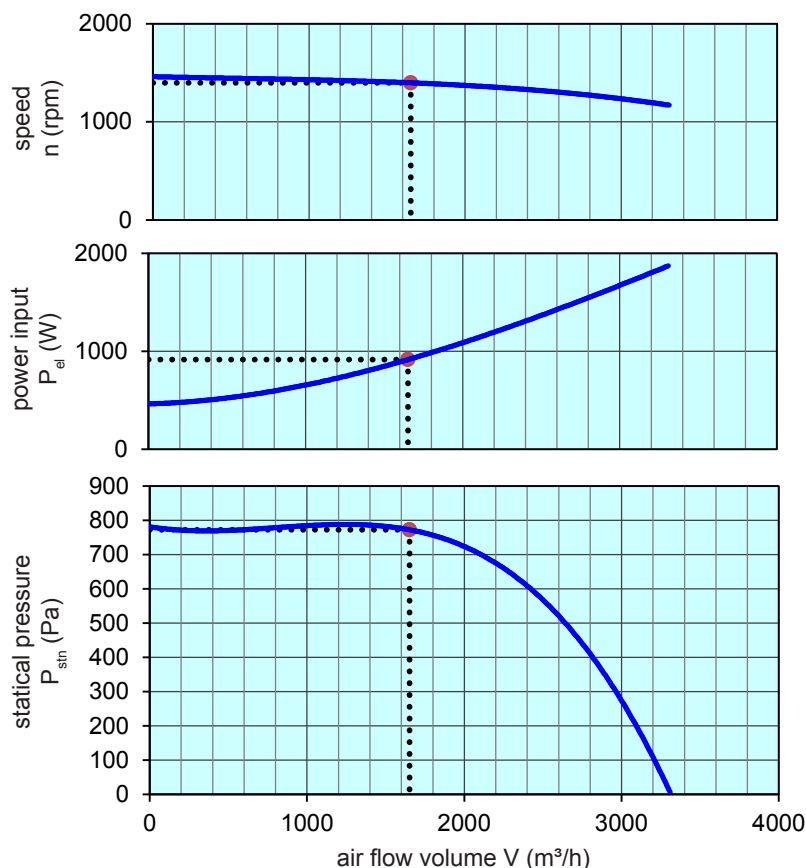
ErP-Data:

total efficiency fan (η_e):	(%)	39,1
installation category:		A
efficiency category:		static
efficiency grade: N	(%)	44
target efficiency (η_{target}):	(%)	37,4
speed controller		no
year of manufacturing		since 2015
manufacturer:	Fischbach Luft- und Ventilatorentechnik GmbH D-57290 Neunkirchen / HRB 5804 Siegen	
order no. li/re		18021720/18021920
power input:	(kW)	0,91
air flow volume:	(m³/h)	1655
statical pressure:	(Pa)	773
speed:	(rpm)	1398
specific ratio:		1

disassembling/recycling/disposal: see page decommission

installation/operation/maintenance: see operating and mounting instructions

measurement for determination of efficiency without additional items

**Speed controller / accessories / sound data**, please see in the appropriate tableTechnical documentation according to page: **General information**