

Series: COMPACT-FAN Type CFE
 single inlet
 with forward curved blades

FISCHBACH
 Luft- und Ventilatorentechnik GmbH

Type: CFE6-740/E25

ERP KONFORM

CE -conform

UK
CA



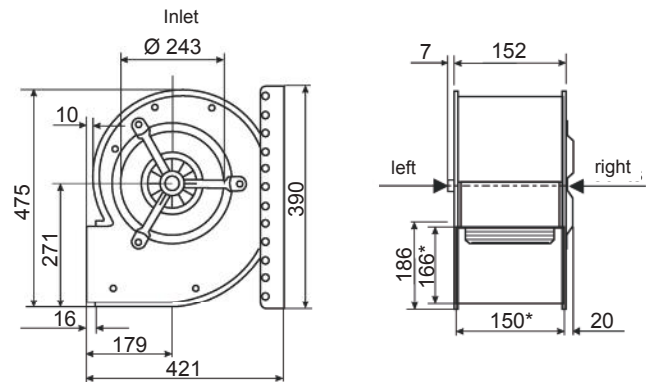
manufacturer:

Fischbach Luft- und Ventilatorentechnik GmbH
 Am Hellerberg 22-24
 D-57290 Neunkirchen
 phone: ++49(0)2735/777-0
 telefax: ++49(0)2735/770-133
 internet: www.fischbach-luft.de
 email: info@fischbach-luft.de

++49(0)2735/777-0
 ++49(0)2735/770-133
 www.fischbach-luft.de
 info@fischbach-luft.de

Technical Data

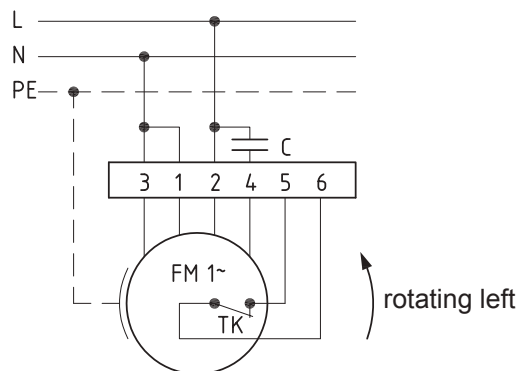
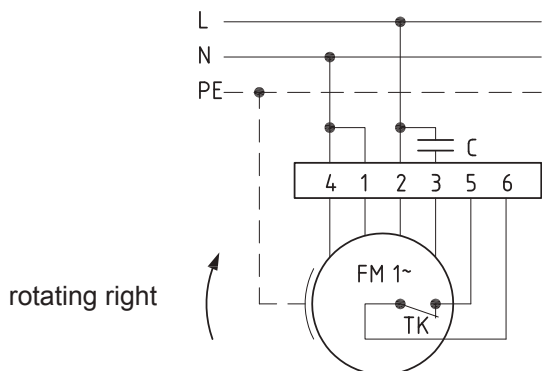
| | | |
|-------------------------|-------------------|------|
| weight: | (kg) | 18,5 |
| material housing: | steel, galvanized | |
| material impeller: | steel, galvanized | |
| direction of rotation: | left/right | |
| motor protection class: | IP 65 | |
| insulation class: | F | |
| motor protection: | thermal contact | |



*external dimension of discharge

connection plan
0.11-1 r.

connection plan
0.11-1 l.



100%
controllable



the silent one

Series: COMPACT-FAN Type CFEsingle inlet
with forward curved blades**FISCHBACH**

Luft- und Ventilatorentechnik GmbH

Type: CFE6-740/E25

Erp 2015 x 2016 2018

Performance data

| | | |
|-------------------------|---------------------|------------|
| main voltage: | (V) | 230 (1~) |
| frequency: | (Hz) | 50 |
| current max.: | (A) | 3,0 |
| power input max.: | (kW) | 0,62 |
| air flow volume max.: | (m ³ /h) | 2074 |
| statical pressure max.: | (Pa) | 489 |
| speed max.: | (rpm) | 1437 |
| supply air temperature: | (°C) | -20... +60 |
| capacitor: | (µF) | 16 |

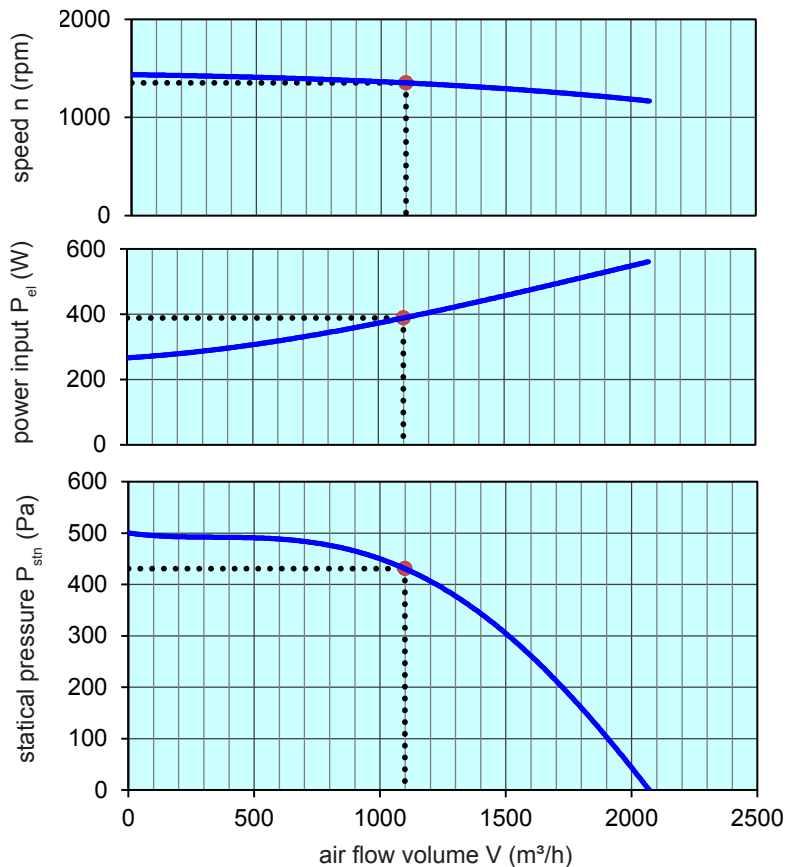
ErP-Data:

| | | |
|--|---|-------------------|
| total efficiency fan (η_e): | (%) | 35,1 |
| installation category: | | A |
| efficiency category: | | static |
| efficiency grade: N | (%) | 40 |
| target efficiency (η_{target}): | (%) | 35,0 |
| speed controller | | no |
| year of manufacturing | | since 2015 |
| manufacturer: | Fischbach Luft- und Ventilatorentechnik GmbH D-57290 Neunkirchen / HRB 5804 Siegen | |
| order no. li/re | | 18021610/18021810 |
| power input: | (kW) | 0,38 |
| air flow volume: | (m ³ /h) | 1110 |
| statical pressure: | (Pa) | 433 |
| speed: | (rpm) | 1352 |
| specific ratio: | | 1 |

disassembling/recycling/disposal: see page decommission

installation/operation/maintenance: see operating and mounting instructions

measurement for determination of efficiency without additional items

**Speed controller / accessories / sound data**, please see in the appropriate tableTechnical documentation according to page: **General information**