

Series: COMPACT-FAN Type CE
 single inlet
 with forward curved blades

FISCHBACH
 Luft- und Ventilatorentechnik GmbH

Type: CE470/E1-R E+

ERP KONFORM

CE -conform

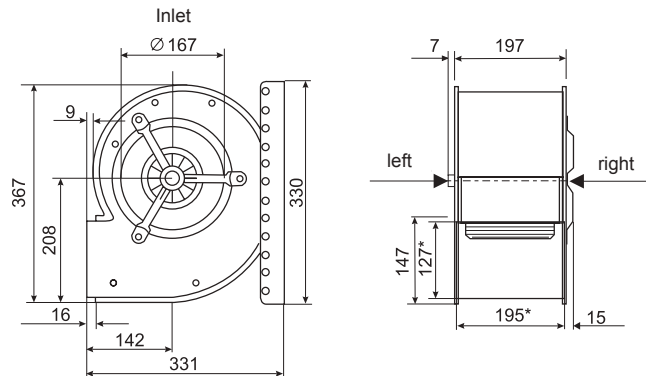
**UK
CA**



manufacturer:
 Fischbach Luft- und Ventilatorentechnik GmbH
 Am Hellerberg 22-24
 D-57290 Neunkirchen
 phone: ++49(0)2735/777-0
 telefax: ++49(0)2735/770-133
 internet: www.fischbach-luft.de
 email: info@fischbach-luft.de

Technical Data

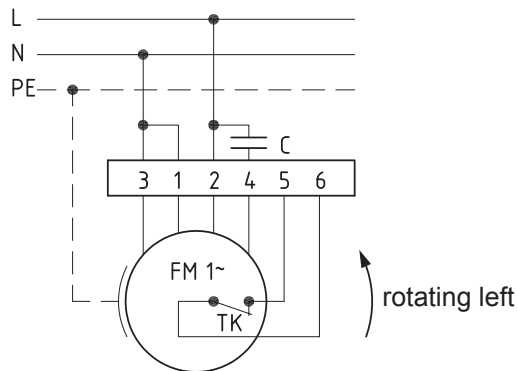
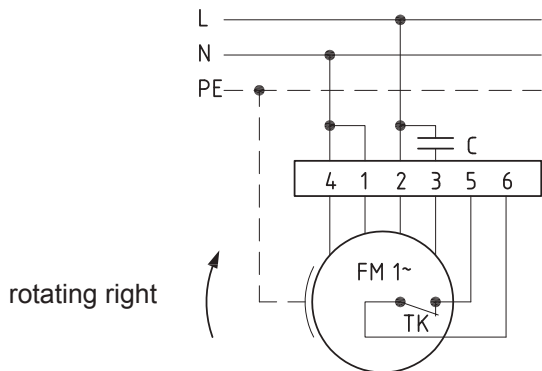
weight:	(kg)	12
material housing:	steel, galvanized	
material impeller:	steel, galvanized	
direction of rotation:	left/right	
motor protection class:	IP 65	
insulation class:	F	
motor protection:	thermal contact	



*external dimension of discharge

connection plan
0.11-1 r.

connection plan
0.11-1 l.



**100%
controllable**



the silent one

Series: **COMPACT-FAN Type CE**

single inlet
with forward curved blades

FISCHBACH

Luft- und Ventilatorentechnik GmbH

Type: **CE470/E1-R E+**

Erp 2013 2015 2018 x

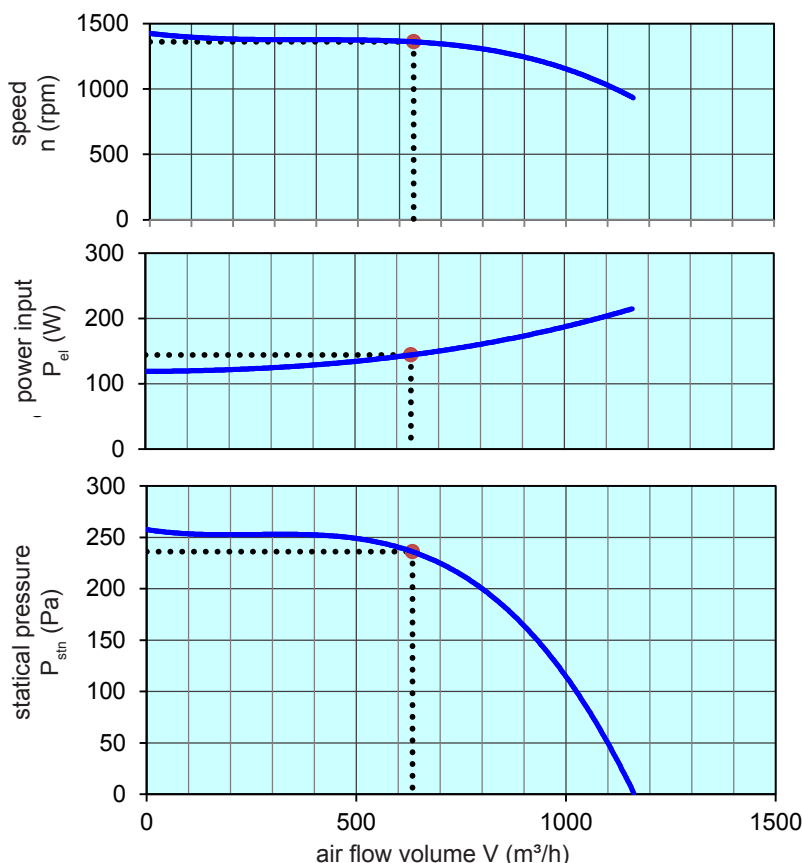
Performance data

main voltage:	(V)	230 (1~)
frequency:	(Hz)	50
current max.:	(A)	1,05
power input max.:	(kW)	0,2
air flow volume max.:	(m³/h)	1162
statical pressure max.:	(Pa)	260
speed max.:	(rpm)	1425
supply air temperature:	(°C)	-20...+70
capacitor:	(µF)	3

ErP-Data:

total efficiency fan (η_e):	(%)	29,8
installation category:		A
efficiency category:		static
efficiency grade: N	(%)	42
target efficiency (η_{target}):	(%)	29,8
speed controller		no
year of manufacturing		since 2015
manufacturer:	Fischbach Luft- und Ventilatorentechnik GmbH D-57290 Neunkirchen / HRB 5804 Siegen	
order no. li/re		18021017/18021317
power input:	(kW)	0,14
air flow volume:	(m³/h)	636
statical pressure:	(Pa)	236
speed:	(rpm)	1360
specific ratio:		1

disassembling/recycling/disposal: see page decommission
installation/operation/maintenance: see operating and mounting instructions
measurement for determination of efficiency without additional items



Speed controller / accessories / sound data, please see in the appropriate table

Technical documentation according to page: **General information**