

**Series:** COMPACT-FAN Type D/DS  
 EC-MOTOR  
 double inlet  
 with forward curved blades

**FISCHBACH**  
 Luft- und Ventilatorentechnik GmbH

**Type:** D570/EM25

ERP KONFORM

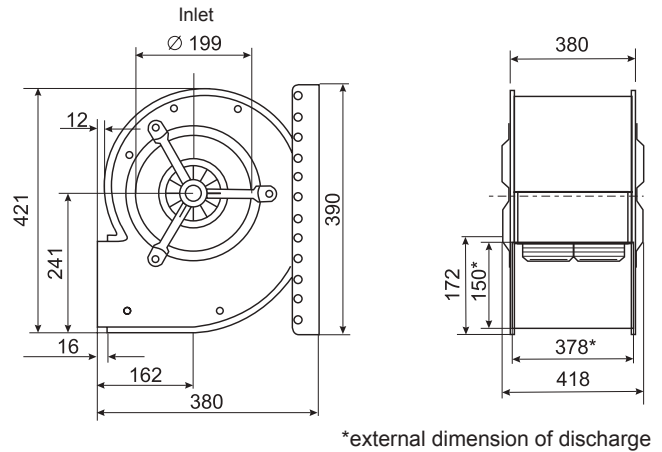
CE -conform



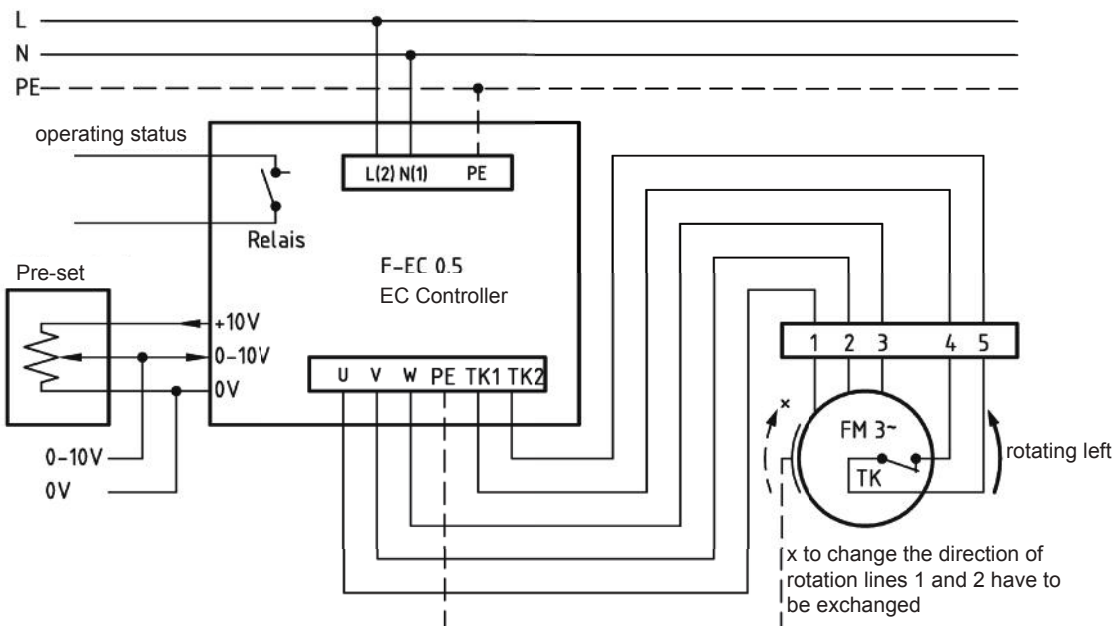
**manufacturer:**  
 Fischbach Luft- und Ventilatorentechnik GmbH  
 Am Hellerberg 22-24  
 D-57290 Neunkirchen  
 phone: ++49(0)2735/777-0  
 telefax: ++49(0)2735/770-625  
 internet: www.fischbach-luft.de  
 email: info@fischbach-luft.de

**Technical Data**

weight:	(kg)	17
material housing:	steel, galvanized	
material impeller:	steel, galvanized	
direction of rotation:	left	
protection class:	IP 65	
insulation class:	F	
motor protection:	thermal contact	



**connection plan\*  
 F-EC 0.5**



the silent one

\* Connection only according to the enclosed technical documentation.

**Series: COMPACT-FAN Type D/DS**  
**EC-MOTOR**  
 double inlet  
 with forward curved blades

**FISCHBACH**  
 Luft- und Ventilatorentechnik GmbH

**Type: D570/EM25**

Erp 2013 2015 2018 x

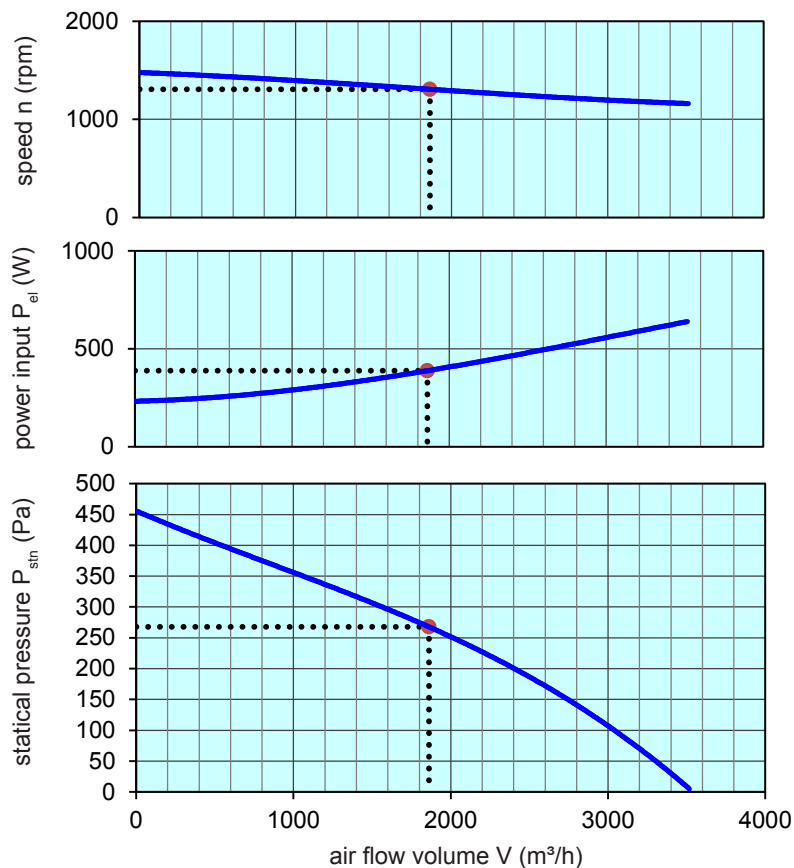
**Performance data**

main voltage:	(V)	230 (1)
frequency:	(Hz)	50
current max.:	(A)	4,2
power input max.:	(kW)	0,64
air flow volume max.:	(m³/h)	3520
statical pressure max.:	(Pa)	451
speed max.:	(rpm)	1473
supply air temperature:	(°C)	-25... +60
capacitor:	(µF)	-

**ErP-Data:**

total efficiency fan ( $\eta_e$ ):	(%)	39,7
installation category:		A
efficiency category:		static
efficiency grade: N	(%)	42
target efficiency ( $\eta_{target}$ ):	(%)	36,2
speed controller		yes
year of manufacturing		since 2015
manufacturer: Fischbach Luft- und Ventilatorentechnik GmbH D-57290 Neunkirchen / HRB 5804 Siegen		
order no.		18111890
power input:	(kW)	0,39
air flow volume:	(m³/h)	1861
statical pressure:	(Pa)	268
speed:	(rpm)	1306
specific ratio:		1

disassembling/recycling/disposal: see page decommission  
 installation/operation/maintenance: see operating and mounting instructions  
 measurement for determination of efficiency without additional items



control with	type	order-Nr.
FISCHBACH-EC-controller	F-EC 0.5	63003
FISCHBACH-Pre-set 0-10V (optional accessories)	FS 10	69460

Technical documentation according to page: **General information**