

**Series: COMPACT-FAN Type CE**

single inlet  
with forward curved blades

**FISCHBACH**

Luft- und Ventilatorentechnik GmbH

EC-MOTOR  
EC-MOTEUR

**Type: CE690/EM35**

ERP KONFORM

CE -conform

UK  
CA



**manufacturer:**

Fischbach Luft- und Ventilatorentechnik GmbH

Am Hellerberg 22-24

D-57290 Neunkirchen

phone:

++49(0)2735/777-0

telefax:

++49(0)2735/770-133

internet:

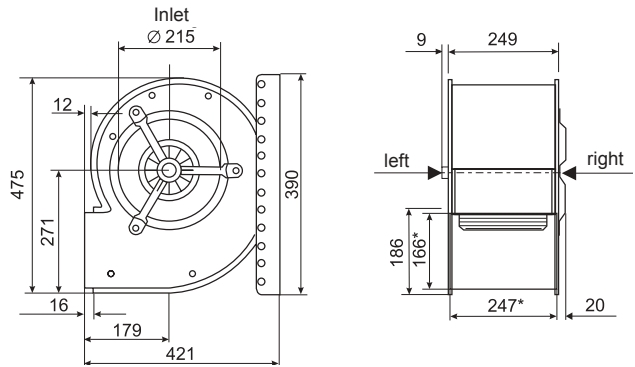
www.fischbach-luft.de

email:

info@fischbach-luft.de

**Technical Data**

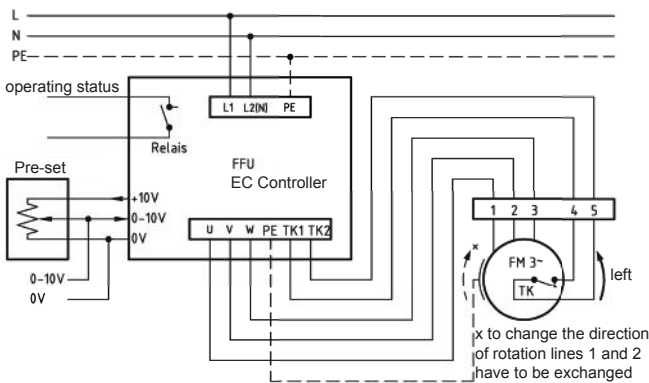
weight:	(kg)
material housing:	steel, galvanized
material impeller:	steel, galvanized
direction of rotation:	left/right
motor protection class:	IP 65
insulation class:	F
motor protection:	thermal contact



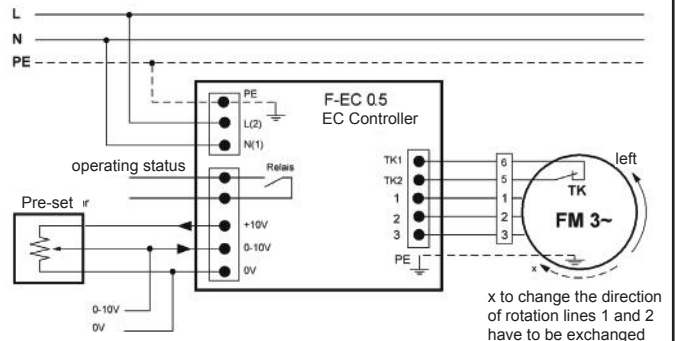
\*external dimension of discharge

**connection plan\***

**FFU-EC 230**



**F-EC 0.5**



\* Connection only according to the enclosed technical documentation.

the silent one



**Series: COMPACT-FAN Type CE**

**FISCHBACH**

Luft- und Ventilatorentechnik GmbH

EC-MOTOR  
EC-MOTEUR

single inlet  
with forward curved blades

**Type: CE690/EM35**

Erp 2013 2015 2018 x

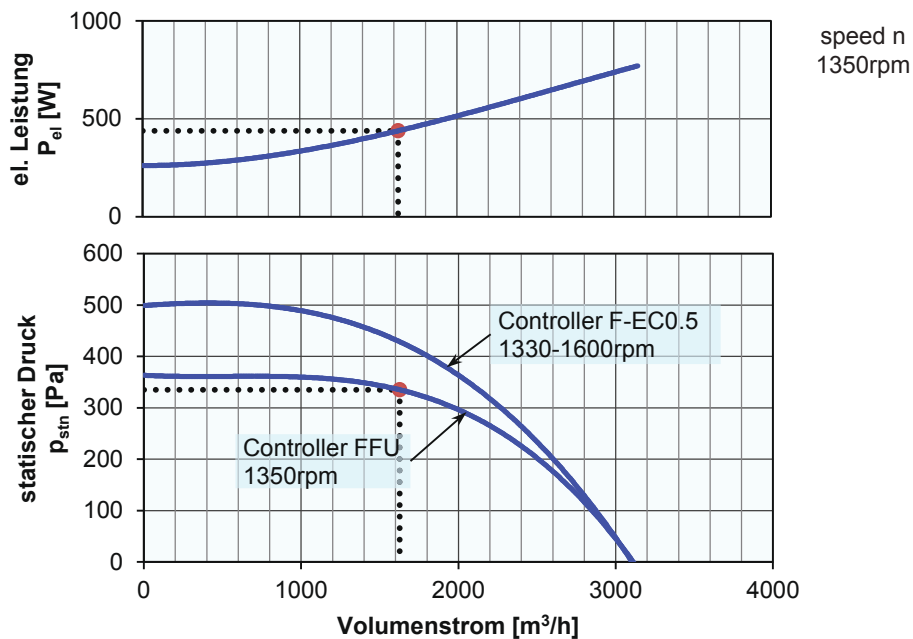
**Performance data**

main voltage:	(V)	230 (1~)
frequency:	(Hz)	50
current max.:	(A)	5,2
power input max.:	(kW)	0,78
air flow volume max.:	(m³/h)	3153
statical pressure max.:	(Pa)	365
speed max.:	(rpm)	1350
supply air temperature:	(°C)	-20...+50
capacitor:	(µF)	-

**ErP-Data:**

total efficiency fan ( $\eta_e$ ):	(%)	38,3
installation category:		A
efficiency category:		static
efficiency grade: N	(%)	42
target efficiency ( $\eta_{target}$ ):	(%)	36,9
speed controller		yes
year of manufacturing		since 2015
manufacturer:	Fischbach Luft- und Ventilatorentechnik GmbH D-57290 Neunkirchen / HRB 5804 Siegen	
order no. le/ri		18121040/18121340
power input:	(kW)	0,44
air flow volume:	(m³/h)	1626
statical pressure:	(Pa)	335
speed:	(rpm)	1350
specific ratio:		1

disassembling/recycling/disposal: see page decommission  
installation/operation/maintenance: see operating and mounting instructions  
measurement for determination of efficiency without additional items



**EC-controller included / accessories / sound data**, please see in the appropriate table

Technical documentation according to page: **General information**