

Series: COMPACT-FAN Type CE

single inlet
with forward curved blades

FISCHBACH

Luft- und Ventilatorentechnik GmbH

EC-MOTOR
EC-MOTEUR

Type: CE240/EM10-R

ERP KONFORM

CE -conform

UK
CA



manufacturer:

Fischbach Luft- und Ventilatorentechnik GmbH

Am Hellerberg 22-24

D-57290 Neunkirchen

phone:

++49(0)2735/777-0

telefax:

++49(0)2735/770-133

internet:

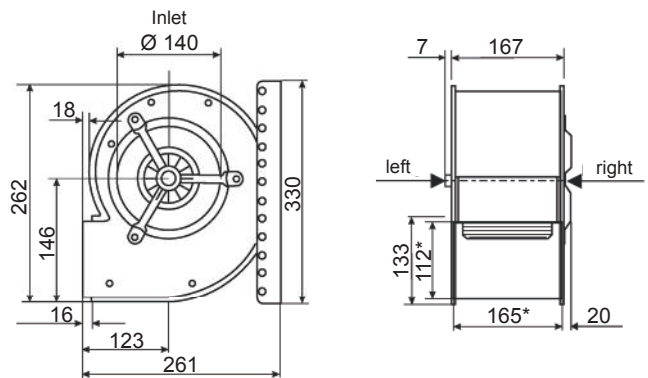
www.fischbach-luft.de

email:

info@fischbach-luft.de

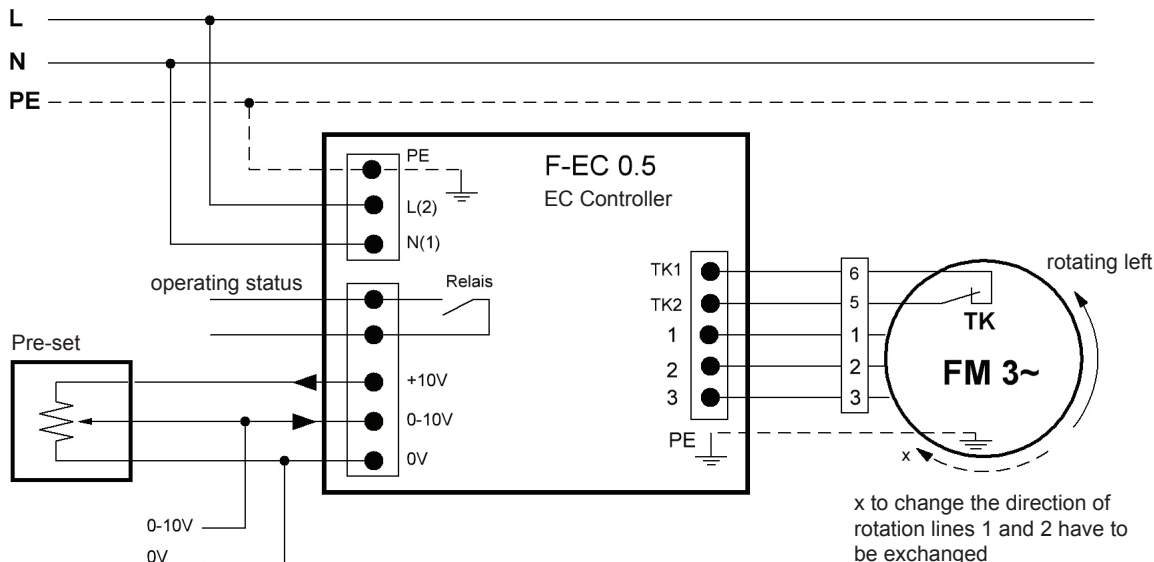
Technical Data

| | | |
|-------------------------|-------------------|----|
| weight: | (kg) | 10 |
| material housing: | steel, galvanized | |
| material impeller: | steel, galvanized | |
| direction of rotation: | left/right | |
| motor protection class: | IP 65 | |
| insulation class: | F | |
| motor protection: | thermal contact | |



*external dimension of discharge

**connection plan*
F-EC 0.5**



* Connection only according to the enclosed technical documentation.

the silent one



Series: COMPACT-FAN Type CE

single inlet
with forward curved blades

FISCHBACH

Luft- und Ventilatorentechnik GmbH

EC-MOTOR
EC-MOTEUR

Type: CE240/EM10-R

Erp 2013 2015 2018 x

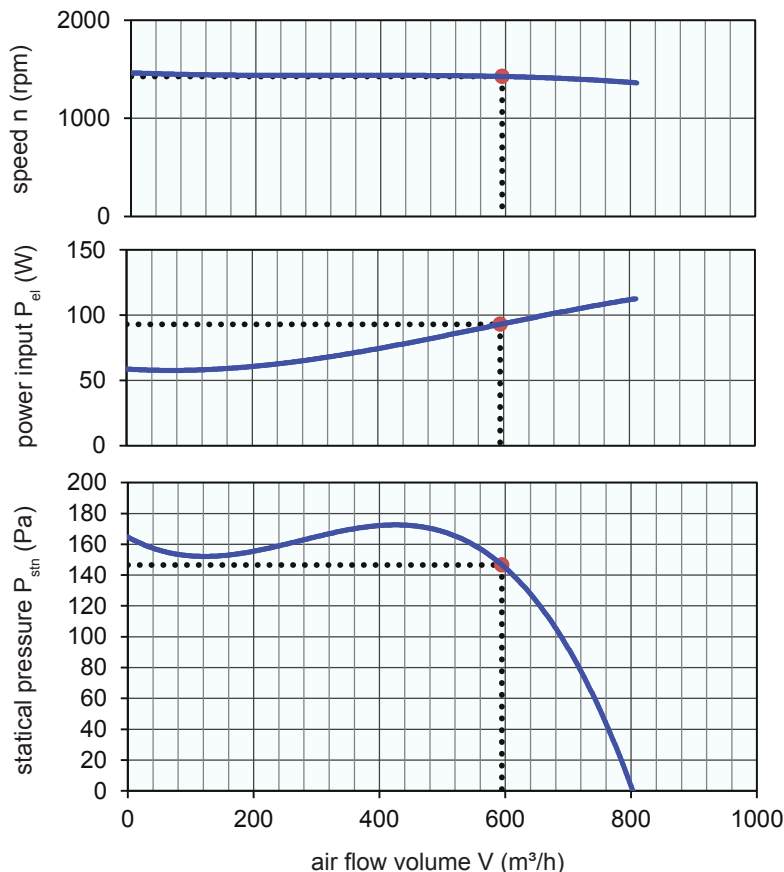
Performance data

| | | |
|-------------------------|--------|------------|
| main voltage: | (V) | 230 (1~) |
| frequency: | (Hz) | 50 |
| current max.: | (A) | 0,8 |
| power input max.: | (kW) | 0,11 |
| air flow volume max.: | (m³/h) | 810 |
| statical pressure max.: | (Pa) | 165 |
| speed max.: | (rpm) | 1463 |
| supply air temperature: | (°C) | -20... +50 |
| capacitor: | (µF) | - |

ErP-Data:

| | | |
|--|---|-------------------|
| total efficiency fan (η_e): | (%) | 31,3 |
| installation category: | | A |
| efficiency category: | | static |
| efficiency grade: N | (%) | 42 |
| target efficiency (η_{target}): | (%) | 27,1 |
| speed controller | | yes |
| year of manufacturing | | since 2015 |
| manufacturer: | Fischbach Luft- und Ventilatorentechnik GmbH D-57290 Neunkirchen / HRB 5804 Siegen | |
| order no. le/ri | | 18121000/18121300 |
| power input: | (kW) | 0,09 |
| air flow volume: | (m³/h) | 595 |
| statical pressure: | (Pa) | 147 |
| speed: | (rpm) | 1426 |
| specific ratio: | | 1 |

disassembling/recycling/disposal: see page decommission
installation/operation/maintenance: see operating and mounting instructions
measurement for determination of efficiency without additional items



EC-controller included / accessories / sound data, please see in the appropriate table

Technical documentation according to page: **General information**