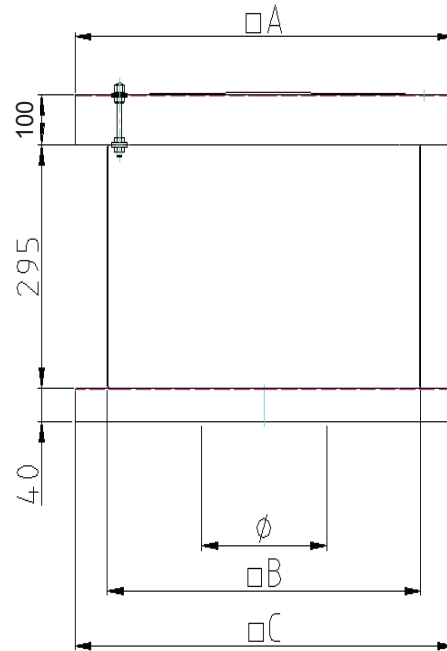
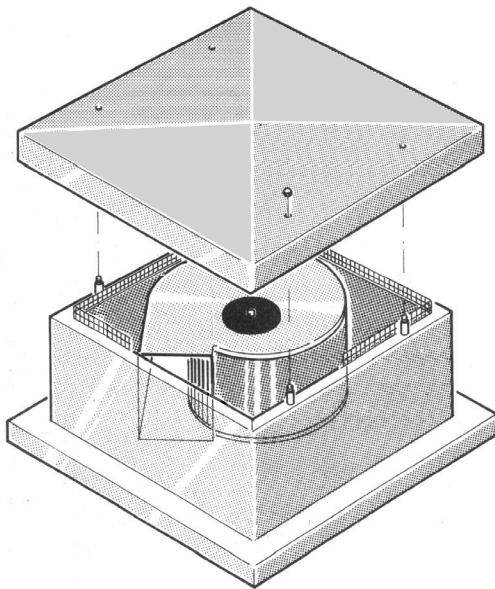


FISCHBACH - ROOF TOP UNIT 40.xxx - flat series - dimensions -



size	type	order.-No.	fan type .../E = 1x230V	dimensions (mm)			
				A	B	C	Ø
1	40-1	58040000	CE470 / E1	640	500	600	167
	40-1 EC	58040009	CE470 / EM1				
2	40-2	58040010	CE5-670 / E15	790	650	750	215
	40-2 EC	58040019	CE5-670 / EM15				
3	40-3/1	58040020	CE6-770 / E15	890	750	850	243
	40-3/1 EC	58040029	CE670 / EM25				
	40-3/2	58040030	CE790 / E35	890	750	850	243
	40-3/2 EC	58040039	CE790 / EM35				
	40-3/3	58040040	CE890 / E65	890	750	850	286
	40-3/3 EC	58040049	CE890 / EM850				