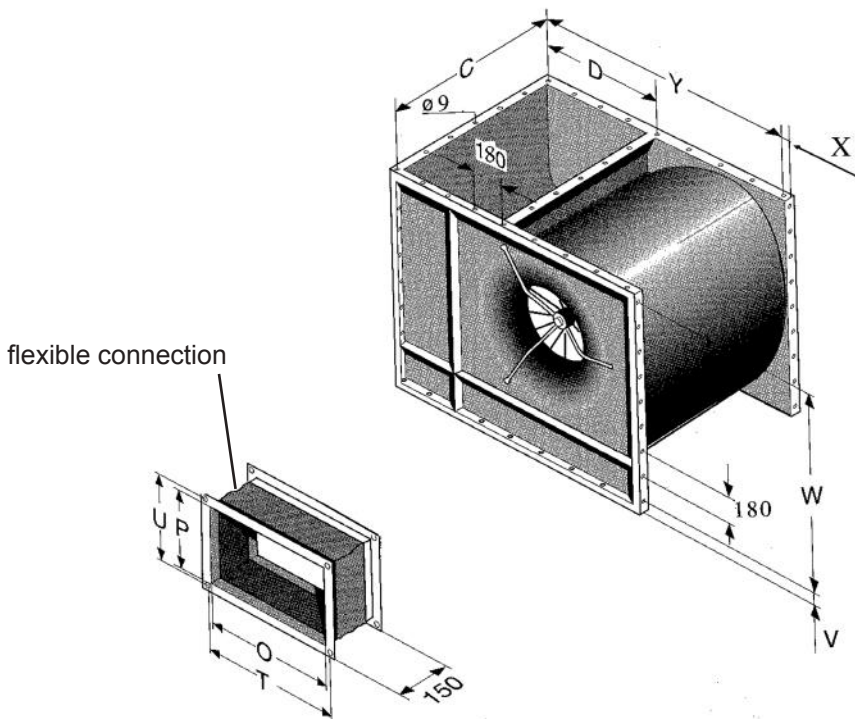
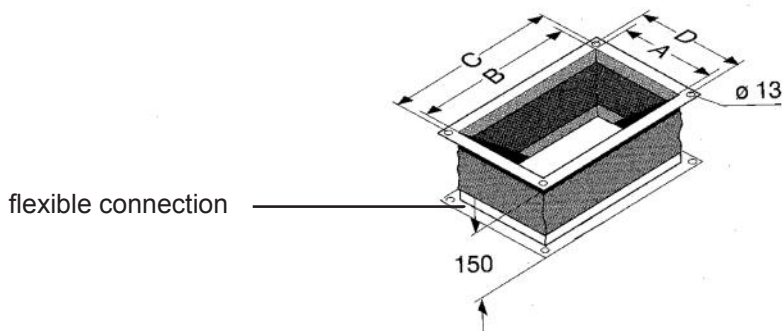
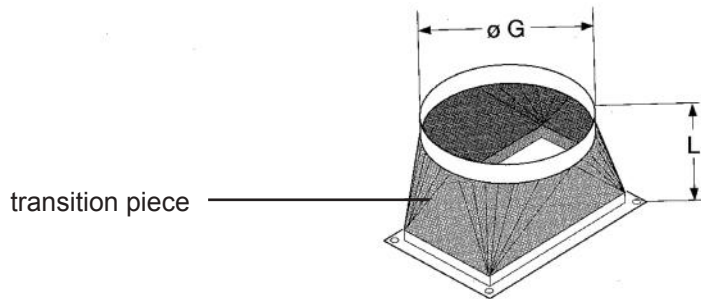


## FISCHBACH-HIGH EFFICIENCY FANS HE/HD-series - accessories overview -



The **mounting angles** can be set at almost any position due to drillings and spot welded nuts. Mounting made easier by slotted holes.

Ø G are clear opening dimensions.

type	A	B	C	D	G	L	O	P	T	U	V	W	X	Y
HE 500/D 2	365	315	337	396	398	300	384	304	418	338	30	720	60	720
HE 560/D 2.5	511	355	377	542	448	300	439	340	473	374	75	720	68,5	900
HE 630/D 5	597	400	422	628	498	300	500	393	534	427	42,5	900	45	1080
HE 710/D 5	upon inquiry													
HD 500/D 2.5	365	602	624	396	498	500	384	304	418	338	30	720	60	720
HD 560/D 5	511	684	706	542	558	500	439	340	473	374	75	720	68,5	900
HD 630/D 5	500	760	794	534	708	500	500	393	534	427	37,5	900	104	1000
HD 630/TD 10	500	760	794	534	708	500	500	393	534	427	37,5	900	104	1000
HD 710/2xD 5	upon inquiry													