

**Series:** HIGH EFFICIENCY FAN Type HE

single inlet  
with backward curved blades

**FISCHBACH**

Luft- und Ventilatorentechnik GmbH

**Type:** HE630/D5

ERP KONFORM



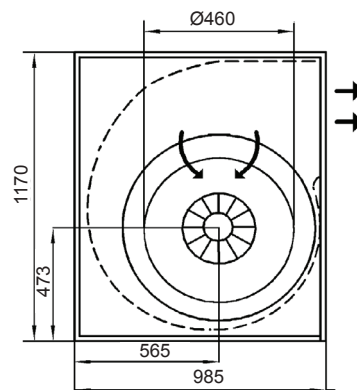
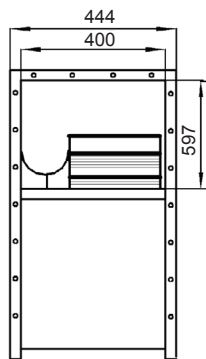
CE -conform

**manufacturer:**

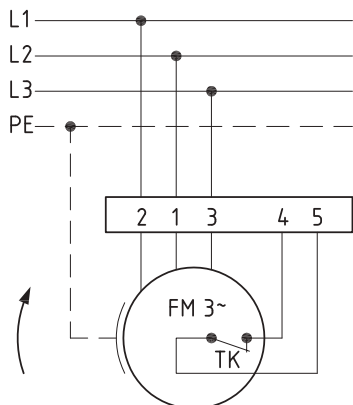
Fischbach Luft- und Ventilatorentechnik GmbH  
Am Hellerberg 22-24  
D-57290 Neunkirchen  
phone: ++49(0)2735/777-0  
telefax: ++49(0)2735/770-625  
internet: www.fischbach-luft.de  
email: info@fischbach-luft.de

**Technical Data**

weight:	(kg)	120
material housing:	steel, galvanized	
material impeller:	steel, galvanized	
direction of rotation:	left/right	
protection class:	IP 65	
insulation class:	F	
motor protection:	thermal contact	

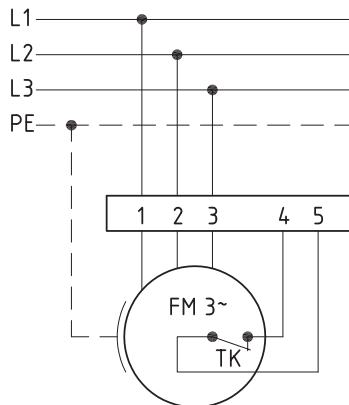


connection plan  
0.13-2 r.



rotating right

connection plan  
0.13-2 l.



rotating left

the silent one



**Series: HIGH EFFICIENCY FAN Type HE**

single inlet  
with backward curved blades

**FISCHBACH**

Luft- und Ventilatorentechnik GmbH

**Type: HE630/D5**

ErP 2013\*\*x 2015 2018

**Performance data**

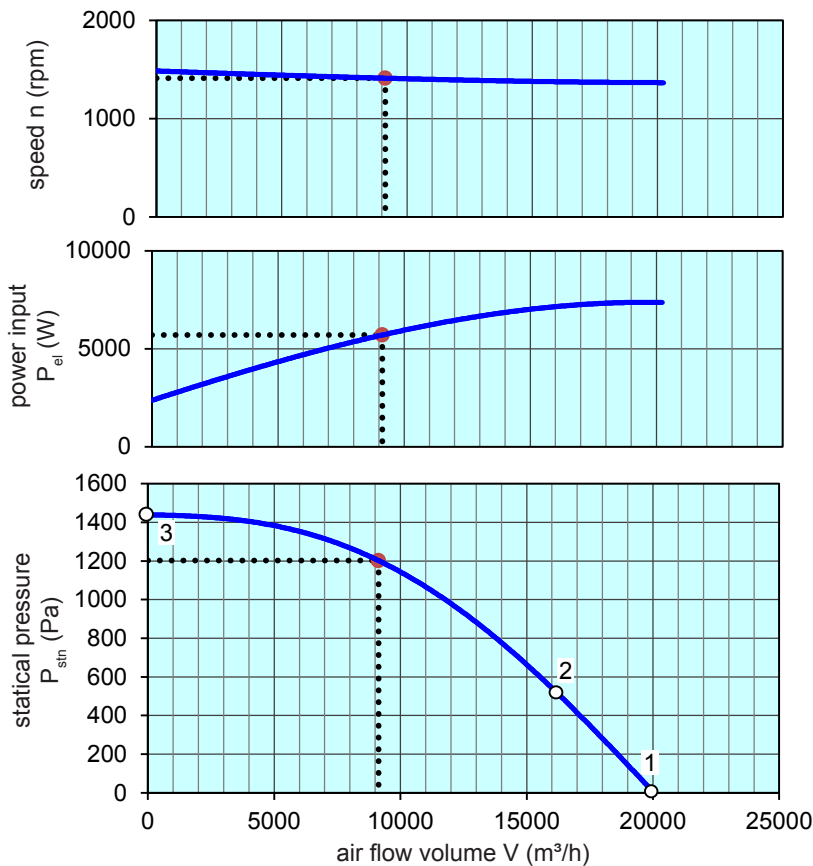
main voltage:	(V)	400 (3~)
frequency:	(Hz)	50
current max.:	(A)	16,6
power input max.:	(kW)	7,5
air flow volume max.:	(m³/h)	20236
statical pressure max.:	(Pa)	1450
speed max.:	(rpm)	1478
supply air temperature:	(°C)	-25... see diagram
capacitor:	(µF)	-

**ErP-Data:**

total efficiency fan ( $\eta_e$ ):	(%)	55,4
installation category:		A
efficiency category:		static
efficiency grade: N	(%)	58
target efficiency ( $\eta_{target}$ ):	(%)	55,4
speed controller		no
year of manufacturing		since 2015
manufacturer:	Fischbach Luft- und Ventilatorentechnik GmbH D-57290 Neunkirchen / HRB 5804 Siegen	
order no. (left/right)		1800103718001039
power input:	(kW)	5,7
air flow volume:	(m³/h)	9400
statical pressure:	(Pa)	1210
speed:	(rpm)	1411
specific ratio:		1

\*\* not suitable for distribution in EU countries, please choose an appropriate EC fan or contact our technical department

disassembling/recycling/disposal: see page decommission  
installation/operation/maintenance: see operating and mounting instructions  
measurement for determination of efficiency without additional items



max. permissible ambient temperature from point 1-2: 55°C  
2-3: 60°C

**Speed controller / accessories / sound data**, please see in the appropriate table

Technical documentation according to page: **General information**