

Series: HIGH EFFICIENCY FAN Type HD

double inlet
with backward curved blades

FISCHBACH

Luft- und Ventilatorentechnik GmbH

Type: HD630/TD10

ERP KONFORM

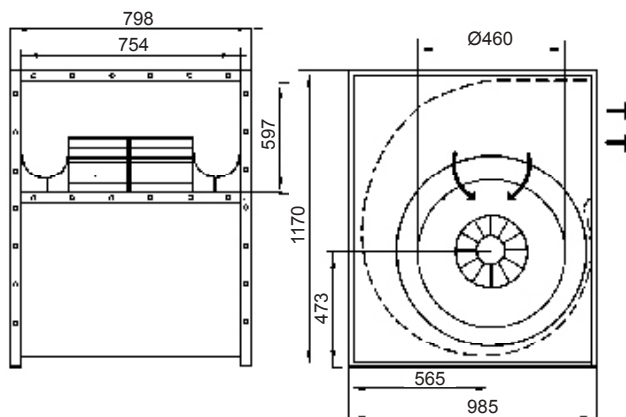


manufacturer:

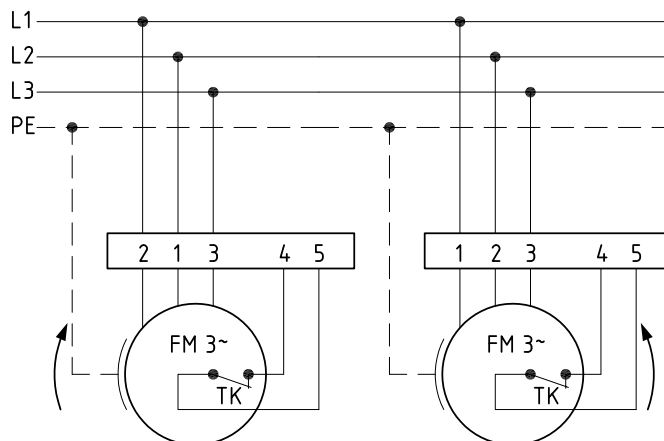
Fischbach Luft- und Ventilatorentechnik GmbH
Am Hellerberg 22-24
D-57290 Neunkirchen
phone: ++49(0)2735/777-0
telefax: ++49(0)2735/770-625
internet: www.fischbach-luft.de
email: info@fischbach-luft.de

Technical Data

weight:	(kg)	180
material housing:	steel, galvanized	
material impeller:	steel, galvanized	
direction of rotation:	left	
protection class:	IP 65	
insulation class:	F	
motor protection:	thermal contact	



connection plan
0.16-1 / 0.16a-1



the silent one



Series: HIGH EFFICIENCY FAN Type HD

double inlet
with backward curved blades

FISCHBACH

Luft- und Ventilatorentechnik GmbH

Type: HD630/TD10

ErP 2013**x 2015 2018

Performance data

main voltage:	(V)	400 (3~)
frequency:	(Hz)	50
current max.:	(A)	29,3
power input max.:	(kW)	13,9
air flow volume max.:	(m³/h)	38330
statical pressure max.:	(Pa)	1467
speed max.:	(rpm)	1472
supply air temperature:	(°C)	-25... +65
capacitor:	(µF)	-

** not suitable for distribution in EU countries, please choose an appropriate EC fan or contact our technical department

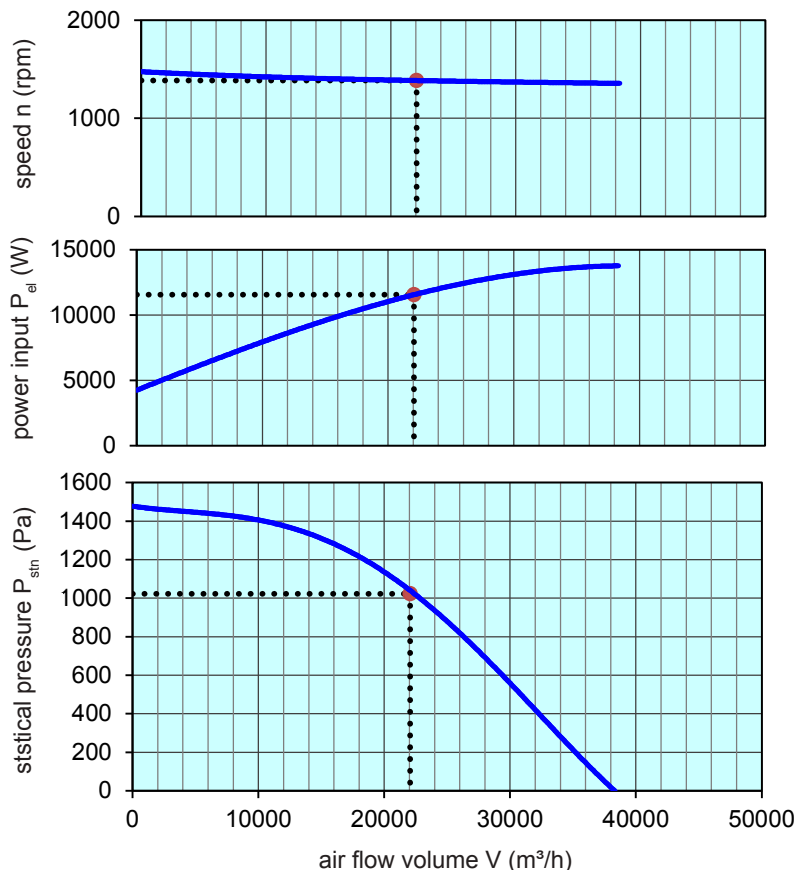
ErP-Data:

total efficiency fan (η_e):	(%)	58,5
installation category:		A
efficiency category:		static
efficiency grade: N	(%)	58
target efficiency (η_{target}):	(%)	58,5
speed controller		no
year of manufacturing		since 2015
manufacturer:	Fischbach Luft- und Ventilatorentechnik GmbH D-57290 Neunkirchen / HRB 5804 Siegen	
order no.		18002047
power input:	(kW)	11,3
air flow volume:	(m³/h)	22200
statical pressure:	(Pa)	1070
speed:	(rpm)	1385
specific ratio:		1

disassembling/recycling/disposal: see page decommission

installation/operation/maintenance: see operating and mounting instructions

measurement for determination of efficiency without additional items



Speed controller / accessories / sound data, please see in the appropriate table

Technical documentation according to page: **General information**