

**Series:** HIGH EFFICIENCY FAN Type HE

double inlet  
with backward curved blades

**FISCHBACH**

Luft- und Ventilatorentechnik GmbH

**Type:** HD630/D5

ERP KONFORM



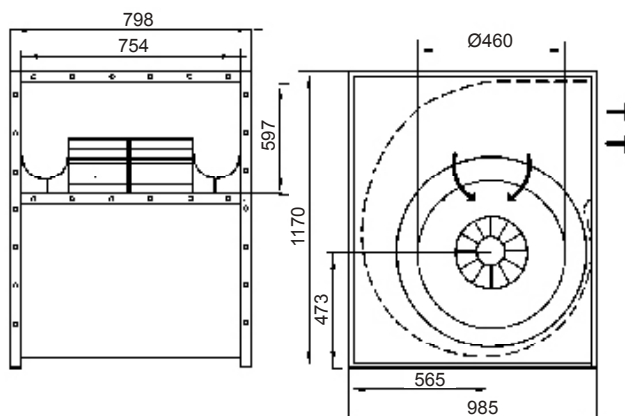
CE -conform

**manufacturer:**

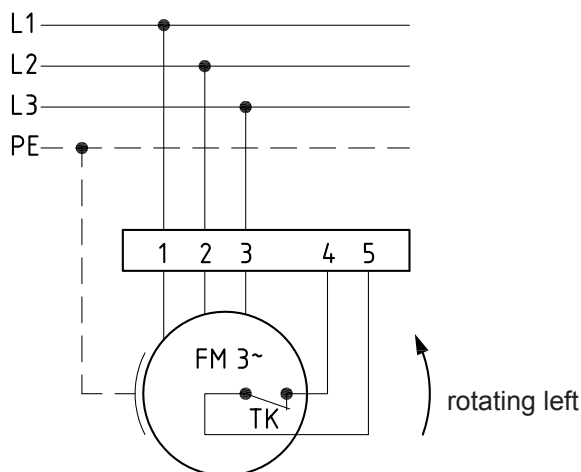
Fischbach Luft- und Ventilatorentechnik GmbH  
Am Hellerberg 22-24  
D-57290 Neunkirchen  
phone: ++49(0)2735/777-0  
telefax: ++49(0)2735/770-625  
internet: www.fischbach-luft.de  
email: info@fischbach-luft.de

**Technical Data**

weight:	(kg)	120
material housing:	steel, galvanized	
material impeller:	steel, galvanized	
direction of rotation:	left	
protection class:	IP 65	
insulation class:	F	
motor protection:	thermal contact	



**connection plan**  
0.13-2 I.



the silent one



Series: **HIGH EFFICIENCY FAN Type HE**

double inlet  
with backward curved blades

**FISCHBACH**

Luft- und Ventilatorentechnik GmbH

Type: **HD630/D5**

ErP 2013 2015 x 2018

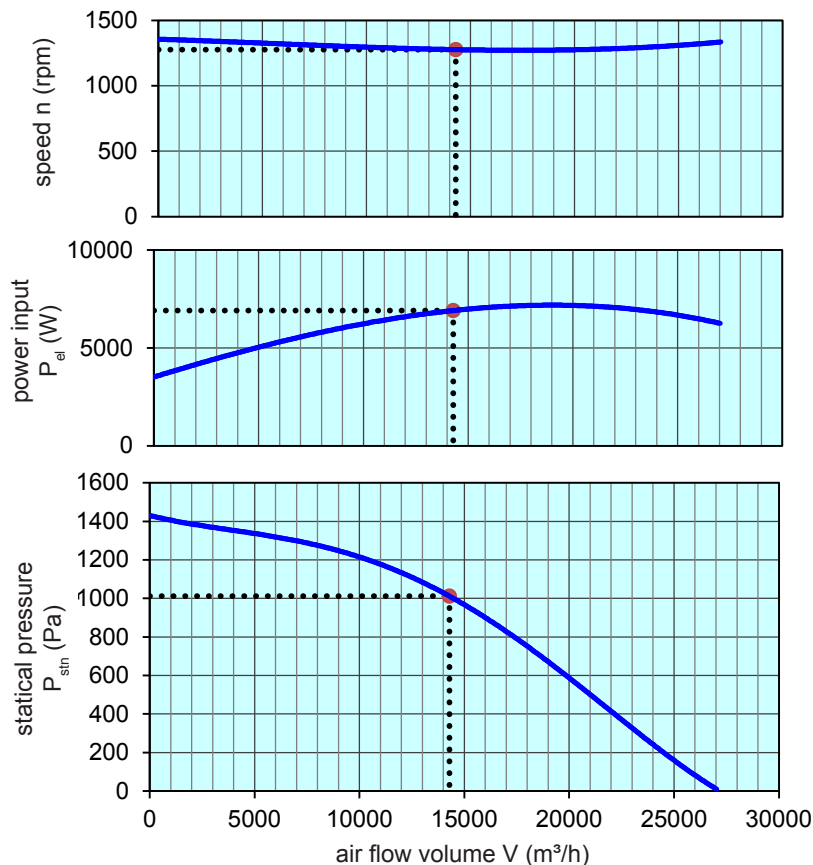
**Performance data**

main voltage:	(V)	400 (3~)
frequency:	(Hz)	50
current max.:	(A)	14,6
power input max.:	(kW)	7,2
air flow volume max.:	(m³/h)	27030
statical pressure max.:	(Pa)	1432
speed max.:	(rpm)	1365
supply air temperature:	(°C)	-25... +50
capacitor:	(µF)	-

**ErP-Data:**

total efficiency fan ( $\eta_e$ ):	(%)	59,3
installation category:		A
efficiency category:		static
efficiency grade: N	(%)	61
target efficiency ( $\eta_{target}$ ):	(%)	59,3
speed controller		no
year of manufacturing		since 2015
manufacturer:	Fischbach Luft- und Ventilatorentechnik GmbH D-57290 Neunkirchen / HRB 5804 Siegen	
order no.		18002030
power input:	(kW)	6,9
air flow volume:	(m³/h)	14300
statical pressure:	(Pa)	1030
speed:	(rpm)	1276
specific ratio:		1

disassembling/recycling/disposal: see page decommission  
installation/operation/maintenance: see operating and mounting instructions  
measurement for determination of efficiency without additional items



Speed controller / accessories / sound data, please see in the appropriate table

Technical documentation according to page: **General information**