

**Series:** HIGH EFFICIENCY FAN Type HE

double inlet  
with backward curved blades

**FISCHBACH**

Luft- und Ventilatorentechnik GmbH

**Type:** HD500/D2.5

ERP KONFORM



CE -conform

**manufacturer:**

Fischbach Luft- und Ventilatorentechnik GmbH  
Am Hellerberg 22-24

D-57290 Neunkirchen

phone: ++49(0)2735/777-0

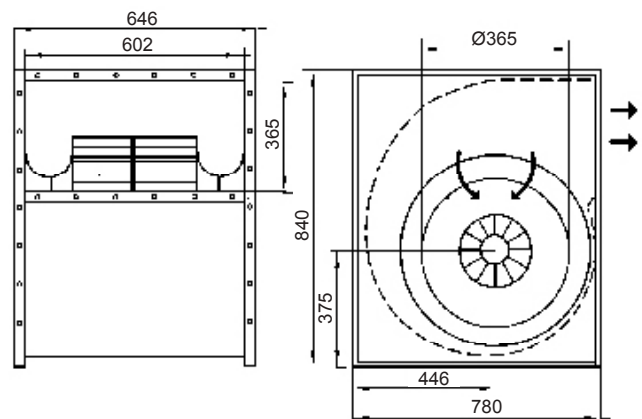
telefax: ++49(0)2735/770-625

internet: www.fischbach-luft.de

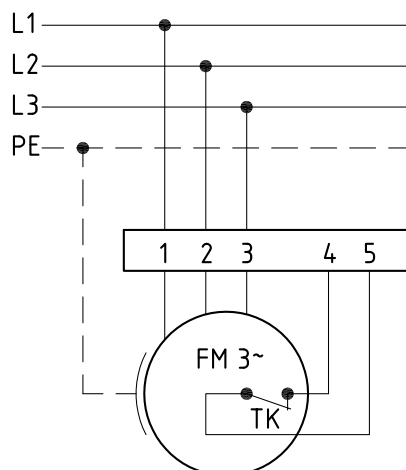
email: info@fischbach-luft.de

**Technical Data**

weight:	(kg)	100
material housing:	steel, galvanized	
material impeller:	steel, galvanized	
direction of rotation:	left	
protection class:	IP 65	
insulation class:	F	
motor protection:	thermal contact	

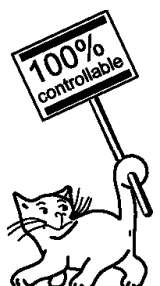


**connection plan**  
0.13-2 I.



rotating left

the silent one



**Series: HIGH EFFICIENCY FAN Type HE**

double inlet  
with backward curved blades

**FISCHBACH**

Luft- und Ventilatorentechnik GmbH

**Type: HD500/D2.5**

ErP 2013 2015 x 2018

**Performance data**

main voltage:	(V)	400 (3~)
frequency:	(Hz)	50
current max.:	(A)	9,0
power input max.:	(kW)	4,2
air flow volume max.:	(m³/h)	17000
statical pressure max.:	(Pa)	955
speed max.:	(rpm)	1446
supply air temperature:	(°C)	-25... +65
capacitor:	(µF)	-

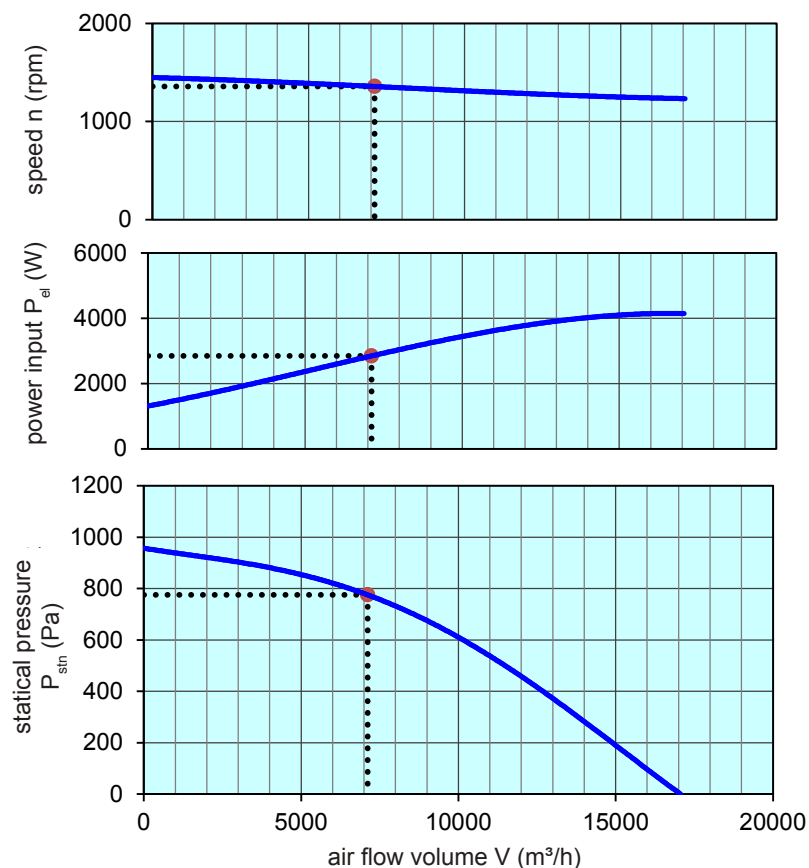
**ErP-Data:**

total efficiency fan ( $\eta_e$ ):	(%)	55,2
installation category:		A
efficiency category:		static
efficiency grade: N	(%)	61
target efficiency ( $\eta_{target}$ ):	(%)	55,2
speed controller		no
year of manufacturing		since 2015
manufacturer:	Fischbach Luft- und Ventilatorentechnik GmbH D-57290 Neunkirchen / HRB 5804 Siegen	
order no.		18002017
power input:	(kW)	2,8
air flow volume:	(m³/h)	7130
statical pressure:	(Pa)	780
speed:	(rpm)	1357
specific ratio:		1

disassembling/recycling/disposal: see page decommission

installation/operation/maintenance: see operating and mounting instructions

measurement for determination of efficiency without additional items



Speed controller / accessories / sound data, please see in the appropriate table

Technical documentation according to page: **General information**