

**Series: MULTI-EXHAUST-UNIT FMB**

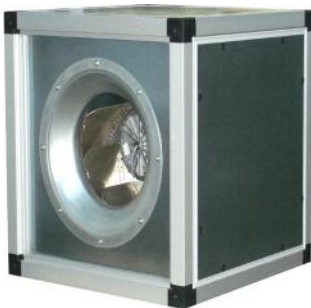
with Freewheeling impeller with backward curved blades

**FISCHBACH**

Luft- und Ventilatorentechnik GmbH

**Type: FMB2/4-500/D1**

**ERP KONFORM**

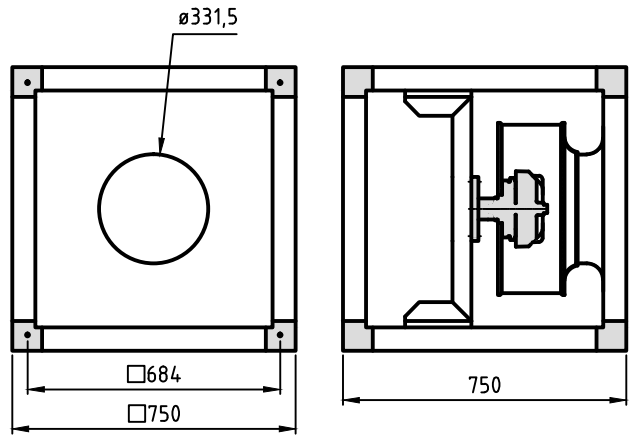


**manufacturer:**

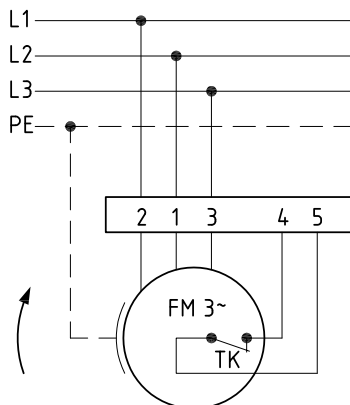
Fischbach Luft- und Ventilatorentechnik GmbH  
Am Hellerberg 22-24  
D-57290 Neunkirchen  
phone: ++49(0)2735/777-0  
telefax: ++49(0)2735/770-625  
internet: www.fischbach-luft.de  
email: info@fischbach-luft.de

**Technical Data**

weight:	(kg)	37
material housing:		aluminum/plastic steel, galvanized
material impeller:		steel, galvanized
direction of rotation:		left/right
motor protection class:		IP 65
insulation class:		F
motor protection:		thermal contact

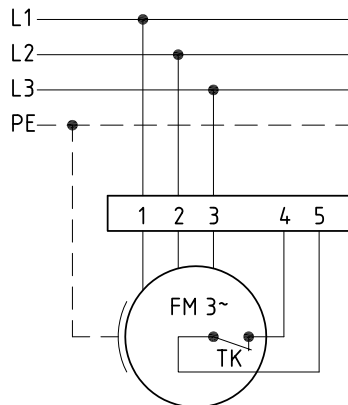


connection plan  
0.13-2 r.



rotating right

connection plan  
0.13-2 l.



rotating left

the silent one



**Series: MULTI-EXHAUST-UNIT FMB**

with Freewheeling impeller with backward curved blades

**FISCHBACH**

Luft- und Ventilatorentechnik GmbH

**Type: FMB2/4-500/D1**

ErP 2013 2015 2018 x

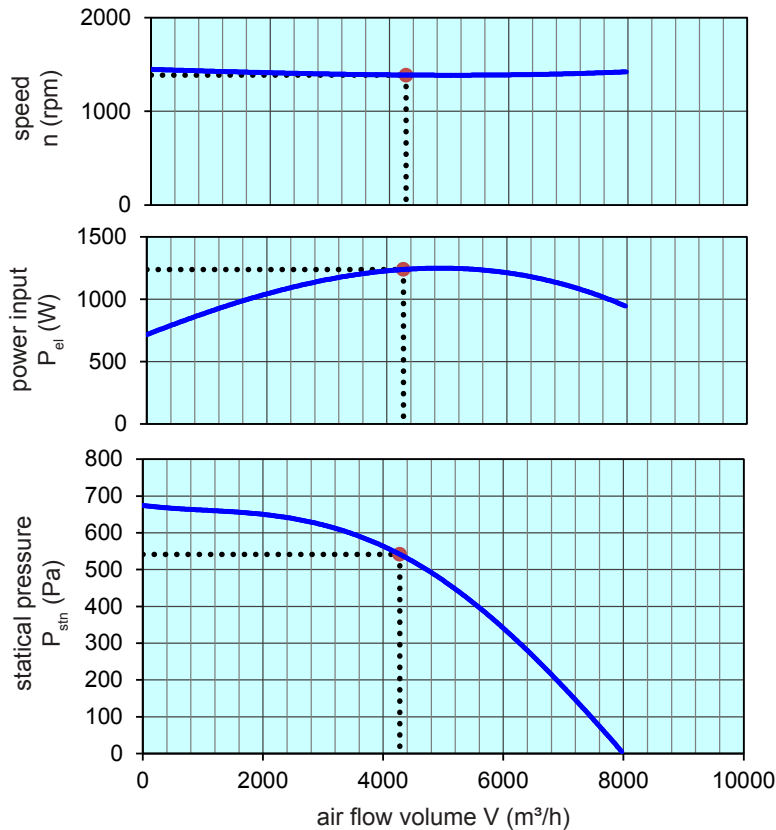
**Performance data**

main voltage:	(V)	400 (3~)
frequency:	(Hz)	50
current max.:	(A)	3,0
power input max.:	(kW)	1,3
air flow volume max.:	(m³/h)	7975
statical pressure max.:	(Pa)	680
speed max.:	(rpm)	1444
supply air temperature:	(°C)	-25...+70
capacitor:	(µF)	-

**ErP-Data:**

total efficiency fan ( $\eta_e$ ):	(%)	53,6
installation category:		A
efficiency category:		static
efficiency grade: N	(%)	62
target efficiency ( $\eta_{target}$ ):	(%)	52,3
speed controller		no
year of manufacturing		since 2015
manufacturer:	Fischbach Luft- und Ventilatorentechnik GmbH D-57290 Neunkirchen / HRB 5804 Siegen	
order no.: (left)		18025050
power input:	(kW)	1,2
air flow volume:	(m³/h)	4280
statical pressure:	(Pa)	541
speed:	(rpm)	1386
specific ratio:		1

disassembling/recycling/disposal: see page decommission  
 installation/operation/maintenance: see operating and mounting instructions  
 measurement for determination of efficiency without additional items



Voltage Control	type	order.-no.
FISCHBACH-Speed-Controller, stepless	FDR 55/3	<b>6231</b>
FISCHBACH-Speed-Controller, stepwise	FDR 5.5/3	<b>6182</b>
FISCHBACH-Frequency-Converter	FFU3-21-4	<b>63760</b>

Technical documentation according to page: **General information**