

**Series: MULTI-EXHAUST-UNIT FMB**

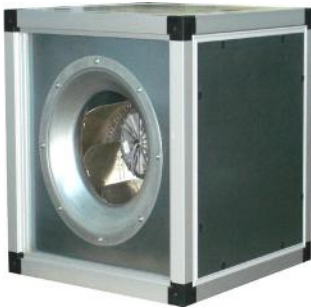
with Freewheeling impeller with backward curved blades

**FISCHBACH**

Luft- und Ventilatorentechnik GmbH

**Type: FMB2/1-400/E25**

**ERP KONFORM**



**manufacturer:**

Fischbach Luft- und Ventilatorentechnik GmbH  
Am Hellerberg 22-24  
D-57290 Neunkirchen

phone: ++49(0)2735/777-0

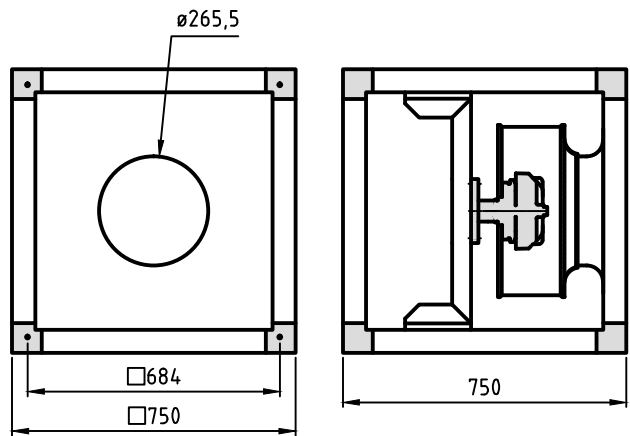
telefax: ++49(0)2735/770-625

internet: www.fischbach-luft.de

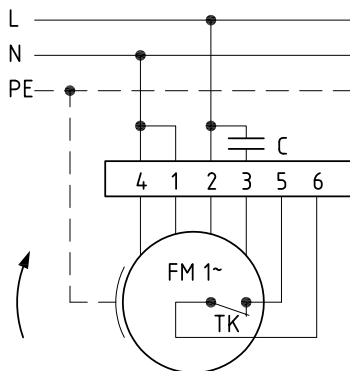
email: info@fischbach-luft.de

**Technical Data**

weight:	(kg)	27,5
material housing:		aluminum/plastic steel, galvanized
material impeller:		steel, galvanized
direction of rotation:		left/right
motor protection class:		IP 65
insulation class:		F
motor protection:		thermal contact

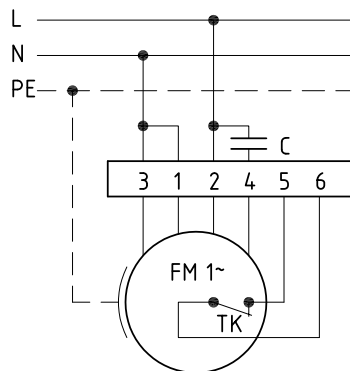


connection plan  
0.11-1 r.



rotating right

connection plan  
0.11-1 l.



rotating left

the silent one



**Series: MULTI-EXHAUST-UNIT FMB**

with Freewheeling impeller with backward curved blades

**FISCHBACH**

Luft- und Ventilatorentechnik GmbH

**Type: FMB2/1-400/E25**

ErP 2013\*\*x 2015 2018

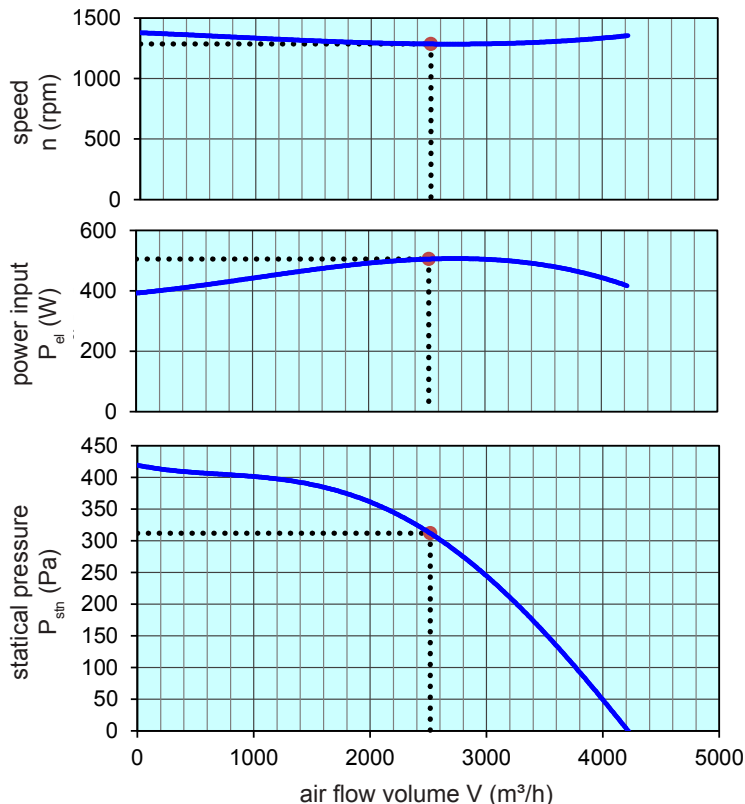
**Performance data**

main voltage:	(V)	230 (1~)
frequency:	(Hz)	50
current max.:	(A)	2,4
power input max.:	(kW)	0,51
air flow volume max.:	(m³/h)	4222
statical pressure max.:	(Pa)	420
speed max.:	(rpm)	1377
supply air temperature:	(°C)	-25...+70
capacitor:	(µF)	16

\*\* not suitable for distribution in EU countries, please choose an appropriate EC fan or contact our technical department

**ErP-Data:**

total efficiency fan ( $\eta_e$ ):	(%)	44,3
installation category:		A
efficiency category:		static
efficiency grade: N	(%)	58
target efficiency ( $\eta_{target}$ ):	(%)	44,3
speed controller		no
year of manufacturing		since 2015
manufacturer:	Fischbach Luft- und Ventilatorentechnik GmbH D-57290 Neunkirchen / HRB 5804 Siegen	
order no. (left)		18025020
power input:	(kW)	0,5
air flow volume:	(m³/h)	2530
statical pressure:	(Pa)	315
speed:	(rpm)	1286
specific ratio:		1
disassembling/recycling/disposal:	see page decommission	
installation/operation/maintenance:	see operating and mounting instructions	
measurement for determination of efficiency without additional items		



Voltage Control	type	order-no.
FISCHBACH-Speed-Controller, stepless	FDR 55	<b>6163</b>
FISCHBACH-Speed-Controller, stepwise	FDR 420	<b>6201</b>
FISCHBACH-Automatic-Control	FRA 55	<b>6252</b>
FISCHBACH-Control-Unit Frequency-Converter	FRE 6	<b>63001</b>

Technical documentation according to page: **General information**