

**Series: FREEWHEELING IMPELLER with
INSTALLATION FRAME FLRE**
with backward curved blades

FISCHBACH

Luft- und Ventilatorentechnik GmbH

Type: FLRE630/D2

ERP KONFORM



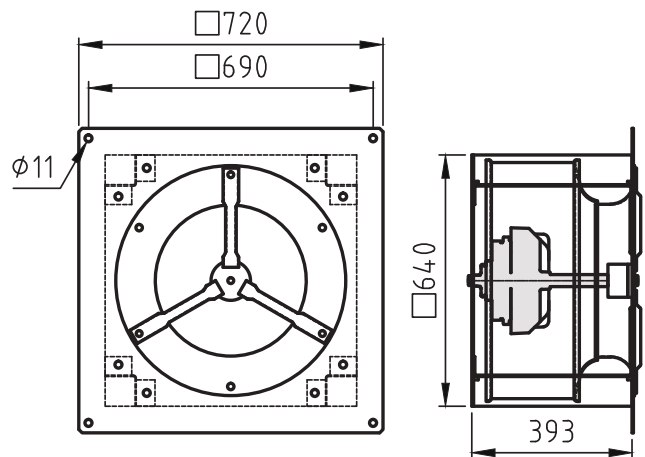
CE -conform

manufacturer:

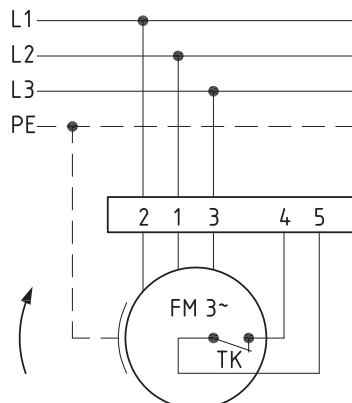
Fischbach Luft- und Ventilatorentechnik GmbH
Am Hellerberg 22-24
D-57290 Neunkirchen
phone: ++49(0)2735/777-0
telefax: ++49(0)2735/770-625
internet: www.fischbach-luft.de
email: info@fischbach-luft.de

Technical Data

weight:	(kg)	64
material housing:	steel, galvanized	
material impeller:	steel, galvanized	
direction of rotation:	left/right	
motor protection class:	IP 65	
insulation class:	F	
motor protection:	thermal contact	

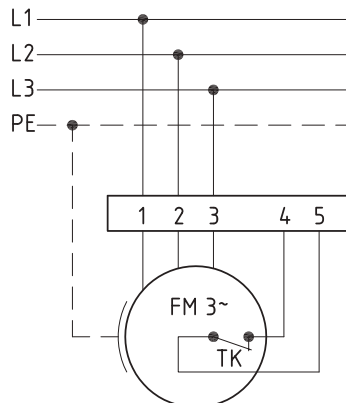


connection plan
0.13-2 r.



rotating right

connection plan
0.13-2 l.



rotating left

the silent one



**Series: FREEWHEELING IMPELLER with
INSTALLATION FRAME FLRE**
with backward curved blades

FISCHBACH
Luft- und Ventilatorentechnik GmbH

Type: FLRE630/D2

ErP 2013**x 2015 2018

Performance data

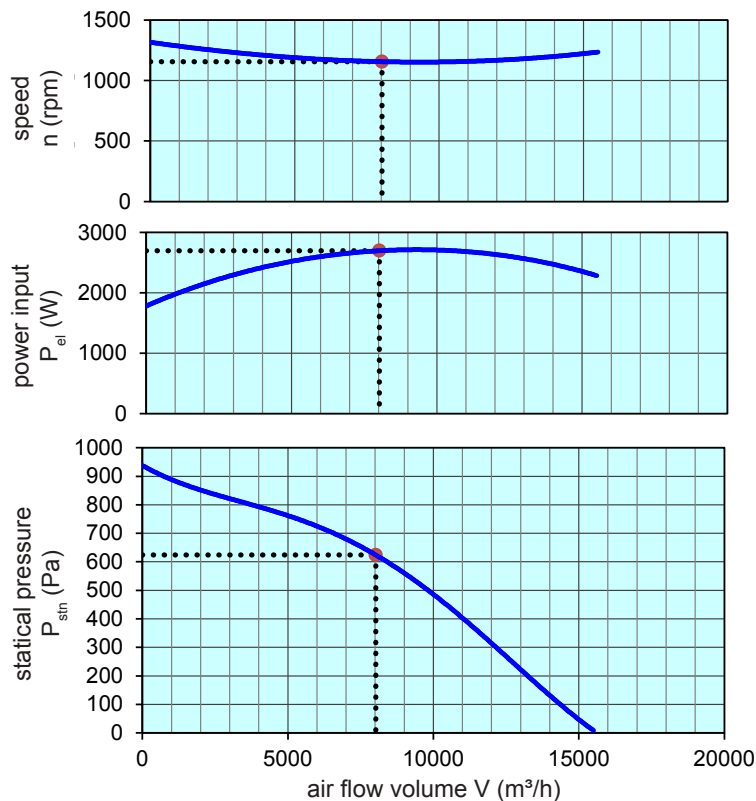
main voltage:	(V)	400 (3~)
frequency:	(Hz)	50
current max.:	(A)	5,7
power input max.:	(kW)	2,75
air flow volume max.:	(m³/h)	15500
statical pressure max.:	(Pa)	950
speed max.:	(rpm)	1319
supply air temperature:	(°C)	-25...+70
capacitor:	(µF)	-

** not suitable for distribution in EU countries, please choose an appropriate EC fan or contact our technical department

ErP-Data:

total efficiency fan (η_e):	(%)	52,0
installation category:		A
efficiency category:		static
efficiency grade: N	(%)	58
target efficiency (η_{target}):	(%)	52,0
speed controller		no
year of manufacturing		since 2015
manufacturer:	Fischbach Luft- und Ventilatorentechnik GmbH D-57290 Neunkirchen / HRB 5804 Siegen	
order no.: (left)		18027060
power input:	(kW)	2,7
air flow volume:	(m³/h)	8022
statical pressure:	(Pa)	630
speed:	(rpm)	1156
specific ratio:		1

disassembling/recycling/disposal: see page decommission
installation/operation/maintenance: see operating and mounting instructions
measurement for determination of efficiency without additional items



Voltage Control	type	order.-no.
FISCHBACH-Speed-Controller, stepless	FDR 80/3	6232
FISCHBACH-Speed-Controller, stepwise	FDR 8.0/3	6183
FISCHBACH-Frequency-Converter	FFU3-21-4	63760

Technical documentation according to page: **General information**