

**Series: FREEWHEELING IMPELLER with  
INSTALLATION FRAME FLRE**  
with backward curved blades

**FISCHBACH**

Luft- und Ventilatorentechnik GmbH

**Type: FLRE560/D1**

**ERP KONFORM**



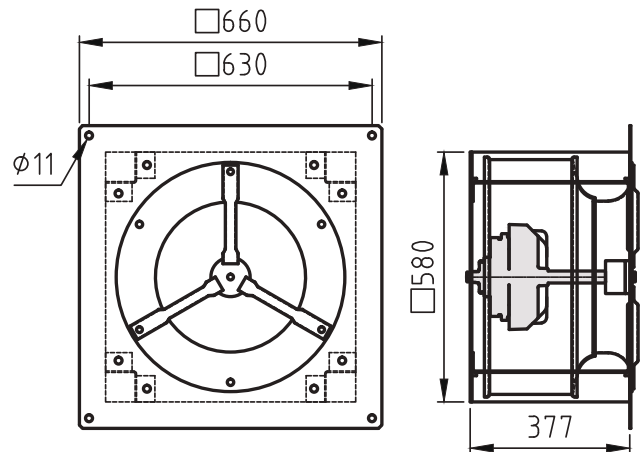
**CE** -conform

**manufacturer:**

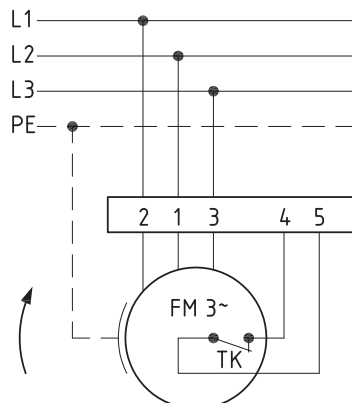
Fischbach Luft- und Ventilatorentechnik GmbH  
Am Hellerberg 22-24  
D-57290 Neunkirchen  
phone: ++49(0)2735/777-0  
telefax: ++49(0)2735/770-625  
internet: www.fischbach-luft.de  
email: info@fischbach-luft.de

**Technical Data**

|                         |                   |    |
|-------------------------|-------------------|----|
| weight:                 | (kg)              | 35 |
| material housing:       | steel, galvanized |    |
| material impeller:      | steel, galvanized |    |
| direction of rotation:  | left/right        |    |
| motor protection class: | IP 65             |    |
| insulation class:       | F                 |    |
| motor protection:       | thermal contact   |    |

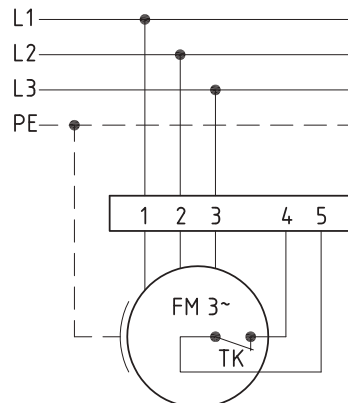


connection plan  
0.13-2 r.



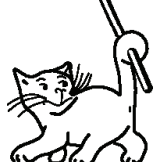
rotating right

connection plan  
0.13-2 l.



rotating left

100%  
controllable



the silent one

**Series: FREEWHEELING IMPELLER with  
INSTALLATION FRAME FLRE**  
with backward curved blades

**FISCHBACH**  
Luft- und Ventilatorentechnik GmbH

**Type: FLRE560/D1**

ErP 2013\*\*x 2015 2018

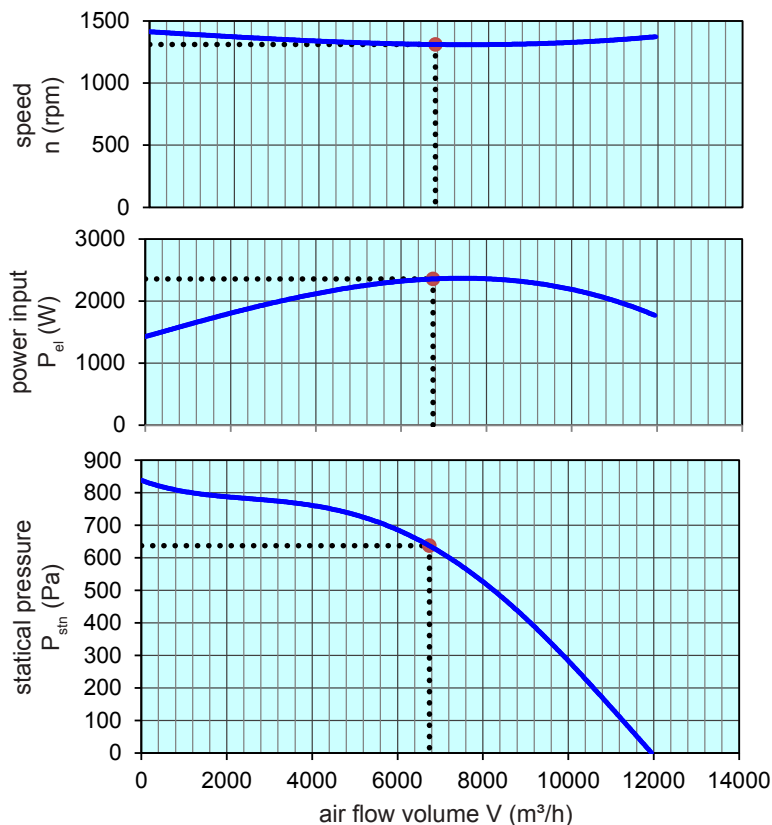
**Performance data**

|                         |        |           |
|-------------------------|--------|-----------|
| main voltage:           | (V)    | 400 (3~)  |
| frequency:              | (Hz)   | 50        |
| current max.:           | (A)    | 5,1       |
| power input max.:       | (kW)   | 2,4       |
| air flow volume max.:   | (m³/h) | 11955     |
| statical pressure max.: | (Pa)   | 845       |
| speed max.:             | (rpm)  | 1413      |
| supply air temperature: | (°C)   | -25...+70 |
| capacitor:              | (µF)   | -         |

**ErP-Data:**

|  |   |            |
|--|---|------------|
| total efficiency fan ( $\eta_e$ ):                                   | (%)   | 52,2       |
| installation category:   |   | A          |
| efficiency category:   |   | static     |
| efficiency grade: N  | (%)   | 58         |
| target efficiency ( $\eta_{target}$ ):                               | (%)   | 51,3       |
| speed controller   |   | no         |
| year of manufacturing  |   | since 2015 |
| manufacturer:  | Fischbach Luft- und Ventilatorentechnik GmbH<br>D-57290 Neunkirchen / HRB 5804 Siegen |            |
| order no.: (left)  |   | 18027050   |
| power input:   | (kW)  | 2,3        |
| air flow volume:   | (m³/h)  | 6750       |
| statical pressure:   | (Pa)  | 640        |
| speed:   | (rpm)   | 1310       |
| specific ratio:  |   | 1          |
| disassembling/recycling/disposal:                                    | see page decommission   |            |
| installation/operation/maintenance:                                  | see operating and mounting instructions   |            |
| measurement for determination of efficiency without additional items |   |            |

\*\* not suitable for distribution in EU countries, please choose an appropriate EC fan or contact our technical department



| Voltage Control                      | type      | order-no. |
|--------------------------------------|-----------|-----------|
| FISCHBACH-Speed-Controller, stepless | FDR 55/3  | 6231      |
| FISCHBACH-Speed-Controller, stepwise | FDR 5.5/3 | 6182      |
| FISCHBACH-Frequency-Converter        | FFU3-21-4 | 63760     |

Technical documentation according to page: **General information**