

**Series: FREEWHEELING IMPELLER with
INSTALLATION FRAME FLRE**
with backward curved blades

FISCHBACH
Luft- und Ventilatorentechnik GmbH

Type: FLRE400/E25

ERP KONFORM

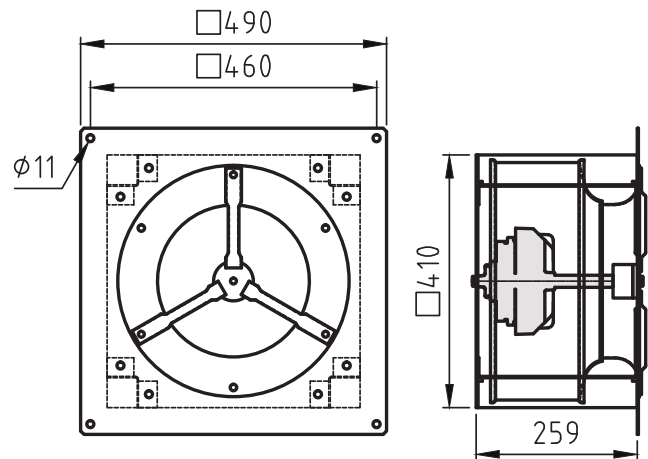


CE -conform

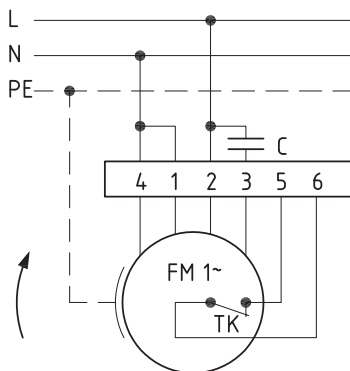
manufacturer:
Fischbach Luft- und Ventilatorentechnik GmbH
Am Hellerberg 22-24
D-57290 Neunkirchen
phone: ++49(0)2735/777-0
telefax: ++49(0)2735/770-625
internet: www.fischbach-luft.de
email: info@fischbach-luft.de

Technical Data

weight:	(kg)	22,5
material housing:	steel, galvanized	
material impeller:	steel, galvanized	
direction of rotation:	left/right	
motor protection class:	IP 65	
insulation class:	F	
motor protection:	thermal contact	

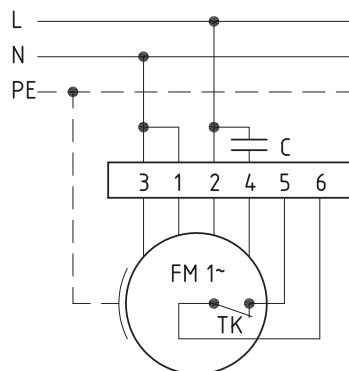


connection plan
0.11-1 r.



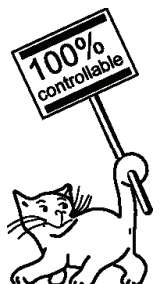
rotating right

connection plan
0.11-1 l.



rotating left

the silent one



**Series: FREEWHEELING IMPELLER with
INSTALLATION FRAME FLRE**
with backward curved blades

FISCHBACH
Luft- und Ventilatorentechnik GmbH

Type: FLRE400/E25

ErP 2013**x 2015 2018

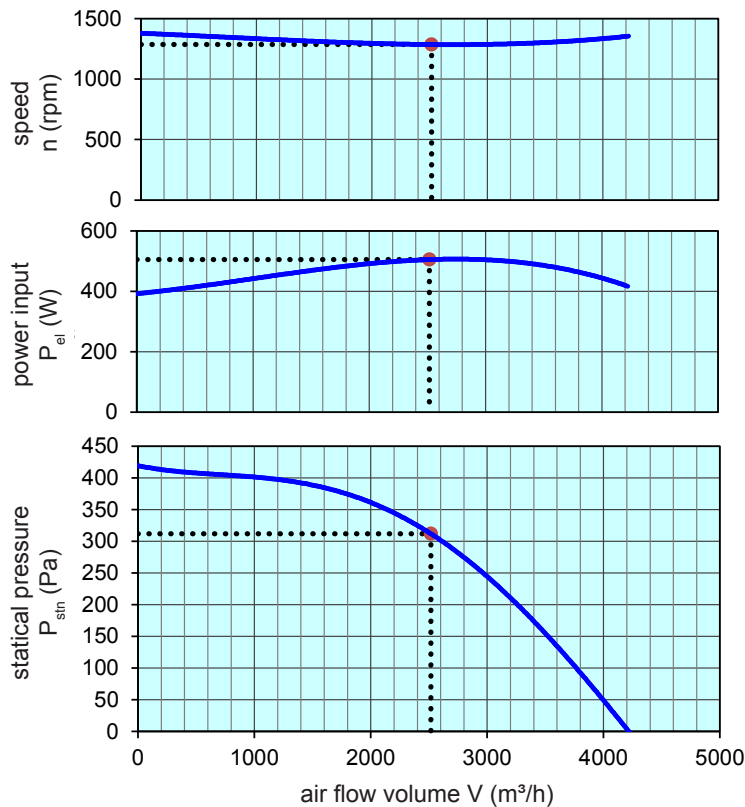
Performance data

main voltage:	(V)	230 (1~)
frequency:	(Hz)	50
current max.:	(A)	2,4
power input max.:	(kW)	0,51
air flow volume max.:	(m³/h)	4222
statical pressure max.:	(Pa)	420
speed max.:	(rpm)	1377
supply air temperature:	(°C)	-25...+70
capacitor:	(µF)	16

ErP-Data:

total efficiency fan (η_e):	(%)	44,3
installation category:		A
efficiency category:		static
efficiency grade: N	(%)	58
target efficiency (η_{target}):	(%)	44,3
speed controller		no
year of manufacturing		since 2015
manufacturer: Fischbach Luft- und Ventilatorentechnik GmbH D-57290 Neunkirchen / HRB 5804 Siegen		
order no. (left)		18027020
power input:	(kW)	0,5
air flow volume:	(m³/h)	2530
statical pressure:	(Pa)	315
speed:	(rpm)	1286
specific ratio:		1
disassembling/recycling/disposal: see page decommission		
installation/operation/maintenance: see operating and mounting instructions		
measurement for determination of efficiency without additional items		

** not suitable for distribution in EU countries, please choose an appropriate EC fan or contact our technical department



Voltage Control	type	order-no.
FISCHBACH-Speed-Controller, stepless	FDR 55	6163
FISCHBACH-Speed-Controller, stepwise	FDR 420	6201
FISCHBACH-Automatic-Control	FRA 55	6252
FISCHBACH-Control-Unit Frequency-Converter	FRE 6	63001

Technical documentation according to page: **General information**