

Series: FREEWHEELING IMPELLER FLR

with
backward curved blades

FISCHBACH

Luft- und Ventilatorentechnik GmbH

Type: FLR450/E35

ERP KONFORM



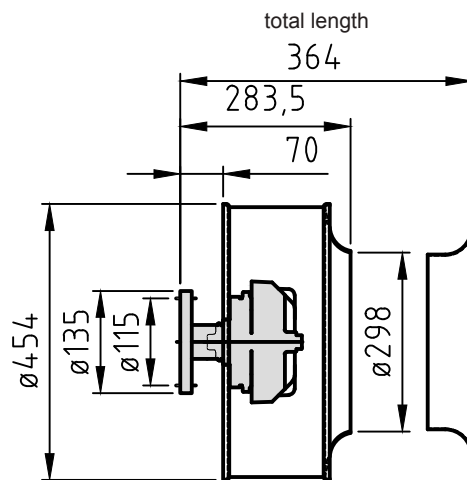
CE -conform

manufacturer:

Fischbach Luft- und Ventilatorentechnik GmbH
Am Hellerberg 22-24
D-57290 Neunkirchen
phone: ++49(0)2735/777-0
telefax: ++49(0)2735/770-625
internet: www.fischbach-luft.de
email: info@fischbach-luft.de

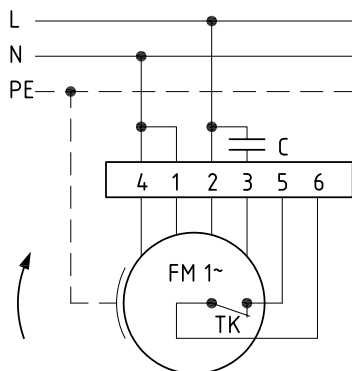
Technical Data

| | | |
|-------------------------|-------------------|----|
| weight: | (kg) | 25 |
| material housing: | steel, galvanized | |
| material impeller: | steel, galvanized | |
| direction of rotation: | left/right | |
| motor protection class: | IP 65 | |
| insulation class: | F | |
| motor protection: | thermal contact | |



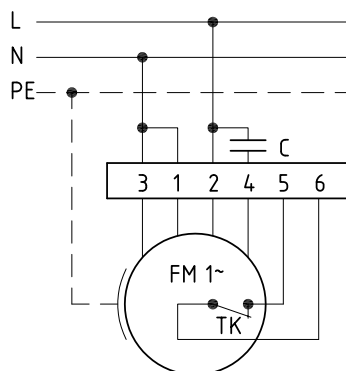
inlet: upon request

connection plan
0.11-1 r.



rotating right

connection plan
0.11-1 l.



rotating left

the silent one



Series: FREEWHEELING IMPELLER FLR

with
backward curved blades

FISCHBACH

Luft- und Ventilatorentechnik GmbH

Type: FLR450/E35

ErP 2013 2015 x 2018

Performance data

| | | |
|-------------------------|--------|-----------|
| main voltage: | (V) | 230 (1~) |
| frequency: | (Hz) | 50 |
| current max.: | (A) | 3,3 |
| power input max.: | (kW) | 0,72 |
| air flow volume max.: | (m³/h) | 6005 |
| statical pressure max.: | (Pa) | 532 |
| speed max.: | (rpm) | 1362 |
| supply air temperature: | (°C) | -25...+70 |
| capacitor: | (µF) | 20 |

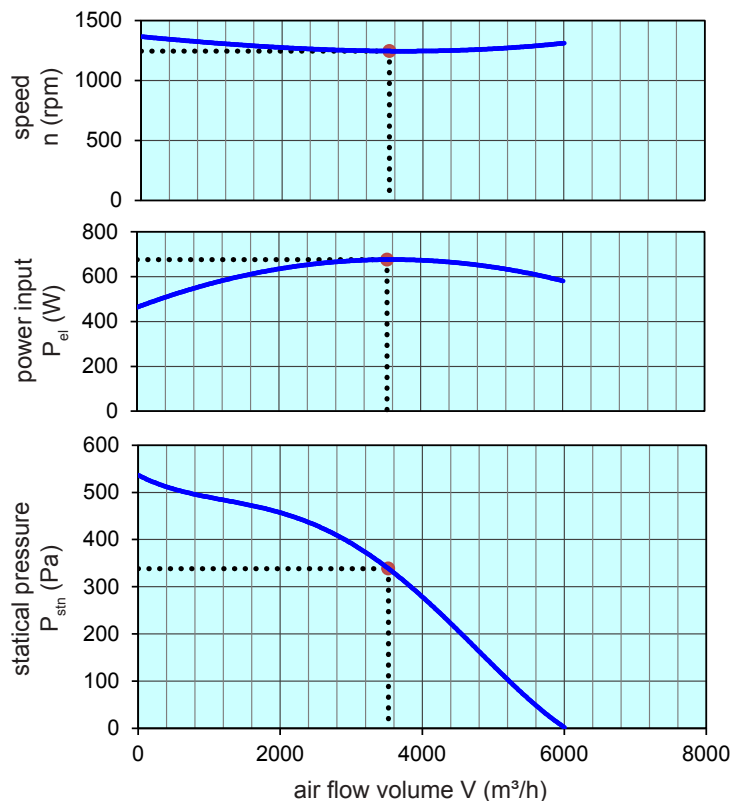
ErP-Data:

| | | |
|--|---|------------|
| total efficiency fan (η_e): | (%) | 50,0 |
| installation category: | | A |
| efficiency category: | | static |
| efficiency grade: N | (%) | 62 |
| target efficiency (η_{target}): | (%) | 49,7 |
| speed controller | | no |
| year of manufacturing | | since 2015 |
| manufacturer: | Fischbach Luft- und Ventilatorentechnik GmbH D-57290 Neunkirchen / HRB 5804 Siegen | |
| order no.: (left) | | 18026030 |
| power input: | (kW) | 0,67 |
| air flow volume: | (m³/h) | 3550 |
| statical pressure: | (Pa) | 340 |
| speed: | (rpm) | 1245 |
| specific ratio: | | 1 |

disassembling/recycling/disposal: see page decommission

installation/operation/maintenance: see operating and mounting instructions

measurement for determination of efficiency without additional items



| Voltage Control | type | order-no. |
|--------------------------------------|---------|-----------|
| FISCHBACH-Speed-Controller, stepless | FDR 55 | 6163 |
| FISCHBACH-Speed-Controller, stepwise | FDR 750 | 6202 |
| FISCHBACH-Automatic-Control | FRA 55 | 6252 |
| FISCHBACH-Control-Unit | FRE 6 | 63001 |

Technical documentation according to page: **General information**