

**Series: FREEWHEELING IMPELLER with  
INSTALLATION FRAME FLRE**  
with backward curved blades EC-MOTOR

**FISCHBACH**

Luft- und Ventilatorentechnik GmbH

**Type: FLRE560/DM1**

**ERP KONFORM**



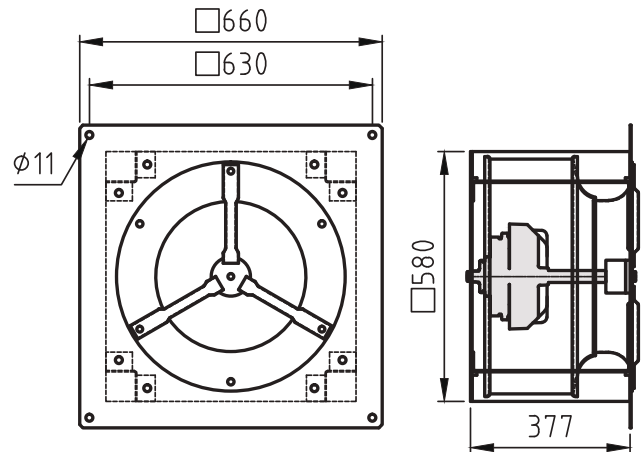
**CE** -conform

**manufacturer:**

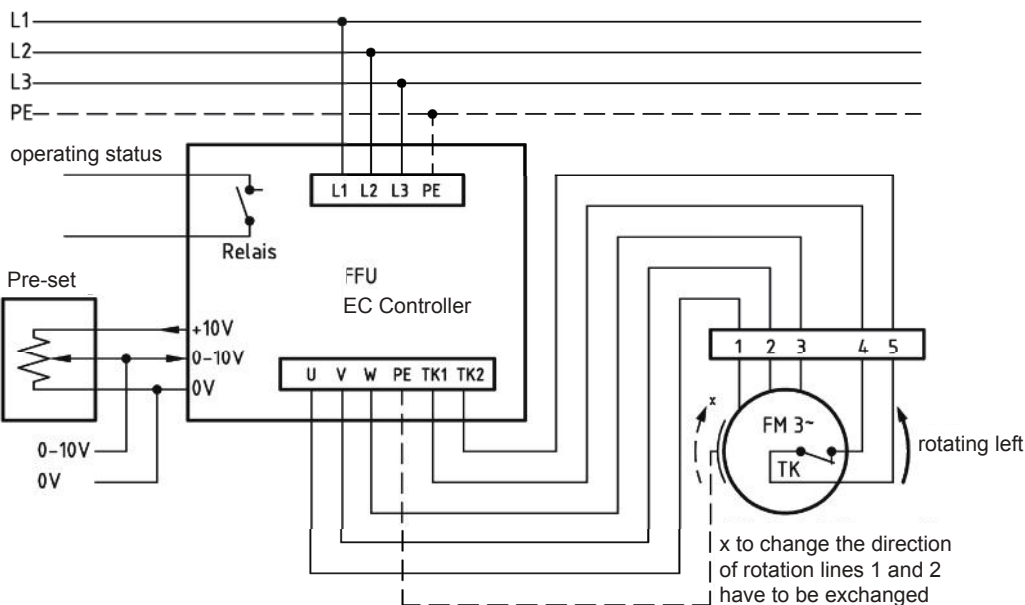
Fischbach Luft- und Ventilatorentechnik GmbH  
Am Hellerberg 22-24  
D-57290 Neunkirchen  
phone: ++49(0)2735/777-0  
telefax: ++49(0)2735/770-625  
internet: www.fischbach-luft.de  
email: info@fischbach-luft.de

**Technical Data**

|                         |                   |    |
|-------------------------|-------------------|----|
| weight:                 | (kg)              | 39 |
| material housing:       | steel, galvanized |    |
| material impeller:      | steel, galvanized |    |
| direction of rotation:  | left/right        |    |
| motor-protection class: | IP 65             |    |
| insulation class:       | F                 |    |
| motor protection:       | thermal contact   |    |

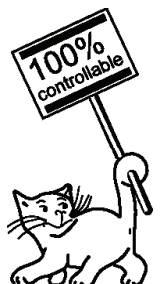


**connection plan\*  
FFU-EC 400**



\* Connection only according to the enclosed technical documentation.

the silent one



**Type: FLRE560/DM1**

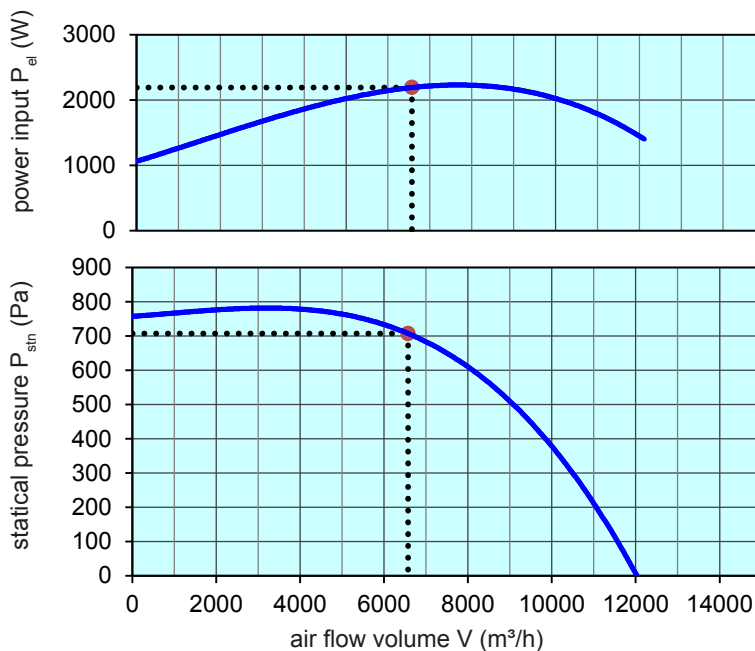
Erp 2013 2015 2018 x

**Performance data**

|                         |        |            |
|-------------------------|--------|------------|
| main voltage:           | (V)    | 400 (3~)   |
| frequency:              | (Hz)   | 50         |
| current max.:           | (A)    | 4,8        |
| power input max.:       | (kW)   | 2,26       |
| air flow volume max.:   | (m³/h) | 12117      |
| statical pressure max.: | (Pa)   | 773        |
| speed max.:             | (rpm)  | 1350       |
| supply air temperature: | (°C)   | -25... +50 |
| capacitor:              | (µF)   | -          |

**ErP-Data:**

|   |   |            |
|---|---|------------|
| total efficiency fan ( $\eta_e$ ):  | (%)   | 62,7       |
| installation category:  |   | A          |
| efficiency category:  |   | static     |
| efficiency grade: N   | (%)   | 62         |
| target efficiency ( $\eta_{target}$ ):                                      | (%)   | 55,1       |
| speed controller  |   | yes        |
| year of manufacturing   |   | since 2015 |
| manufacturer:   | Fischbach Luft- und Ventilatorentechnik GmbH<br>D-57290 Neunkirchen / HRB 5804 Siegen |            |
| order no. (left)  |   | 18127050   |
| power input:  | (kW)  | 2,19       |
| air flow volume:  | (m³/h)  | 6572       |
| statical pressure:  | (Pa)  | 707        |
| speed:  | (rpm)   | 1350       |
| specific ratio:   |   | 1          |
| disassembling/recycling/disposal: see page decommission                     |   |            |
| installation/operation/maintenance: see operating and mounting instructions |   |            |
| measurement for determination of efficiency without additional items        |   |            |



| control with                                   | type      | order-Nr. |
|--|-----------|-----------|
| FISCHBACH-frequency-converter                  | FFU3-21-4 | 63760     |
| FISCHBACH-Pre-set 0-10V (optional accessories) | FS 10     | 69460     |

Technical documentation according to page: **General information**