

**Series: FREEWHEELING IMPELLER with  
INSTALLATION FRAME FLRE**  
with backward curved blades EC-MOTOR

**FISCHBACH**

Luft- und Ventilatorentechnik GmbH

**Type: FLRE400/EM15**

**ERP KONFORM**



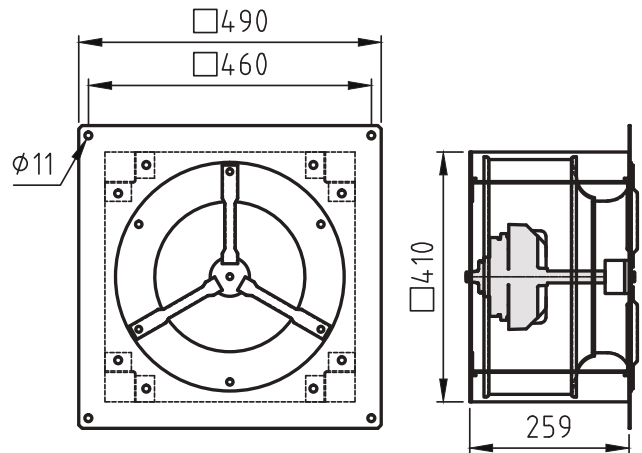
**CE** -conform

**manufacturer:**

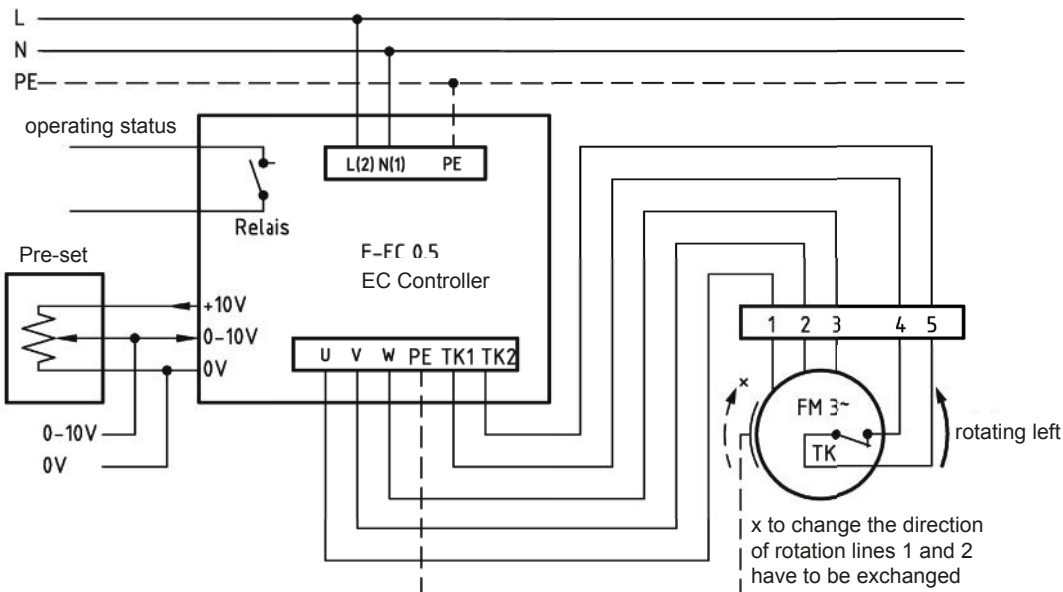
Fischbach Luft- und Ventilatorentechnik GmbH  
Am Hellerberg 22-24  
D-57290 Neunkirchen  
phone: ++49(0)2735/777-0  
telefax: ++49(0)2735/770-625  
internet: www.fischbach-luft.de  
email: info@fischbach-luft.de

**Technical Data**

weight:	(kg)	19,5
material housing:	steel, galvanized	
material impeller:	steel, galvanized	
direction of rotation:	left/right	
motor-protection class:	IP 65	
insulation class:	F	
motor protection:	thermal contact	

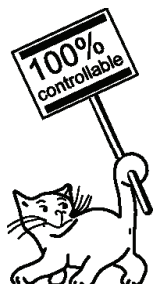


**connection plan\*  
F-EC 0.5**



\* Connection only according to the enclosed technical documentation.

the silent one



**Series: FREEWHEELING IMPELLER with  
INSTALLATION FRAME FLRE**  
with backward curved blades **EC-MOTOR**

**FISCHBACH**

Luft- und Ventilatorentechnik GmbH

**Type: FLRE400/EM15**

Erp 2013 2015 2018 x

**Performance data**

main voltage:	(V)	230 (1~)
frequency:	(Hz)	50
current max.:	(A)	4,1
power input max.:	(kW)	0,59
air flow volume max.:	(m³/h)	4760
statical pressure max.:	(Pa)	538
speed max.:	(rpm)	1531
supply air temperature:	(°C)	-25... +60
capacitor:	(µF)	-

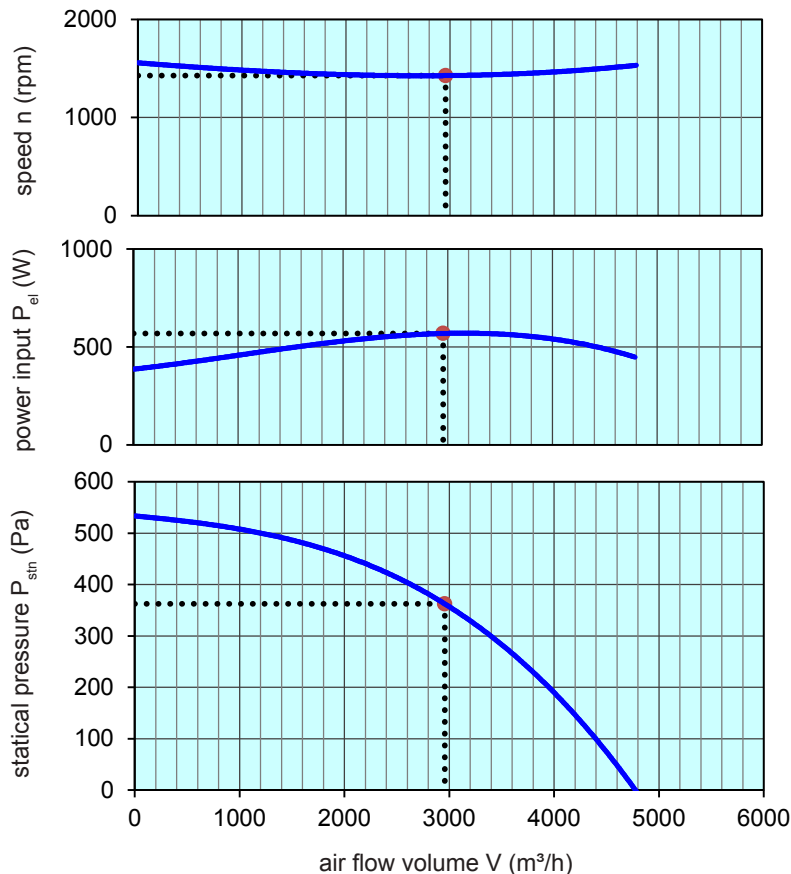
**ErP-Data:**

total efficiency fan ( $\eta_e$ ):	(%)	57,6
installation category:		A
efficiency category:		static
efficiency grade: N	(%)	62
target efficiency ( $\eta_{target}$ ):	(%)	48,9
speed controller		yes
year of manufacturing		since 2015
manufacturer:	Fischbach Luft- und Ventilatorentechnik GmbH D-57290 Neunkirchen / HRB 5804 Siegen	
order no. (left)		18127020
power input:	(kW)	0,57
air flow volume:	(m³/h)	2957
statical pressure:	(Pa)	362
speed:	(rpm)	1427
specific ratio:		1

disassembling/recycling/disposal: see page decommission

installation/operation/maintenance: see operating and mounting instructions

measurement for determination of efficiency without additional items



control with	type	order-Nr.
FISCHBACH-EC-controller	F-EC 0.5	<b>63003</b>
FISCHBACH-Pre-set 0-10V (optional accessories)	FS 10	<b>69460</b>

Technical documentation according to page: **General information**