

Series: FREEWHEELING IMPELLER FLR
with backward curved blades
EC-MOTOR

FISCHBACH
Luft- und Ventilatorentechnik GmbH

Type: FLR630/DM2

ErP KONFORM

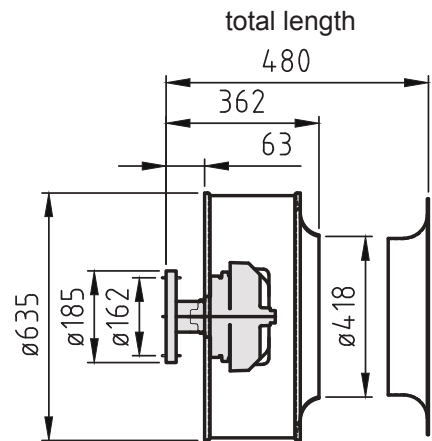


CE -conform

manufacturer:
Fischbach Luft- und Ventilatorentechnik GmbH
Am Hellerberg 22-24
D-57290 Neunkirchen
phone: ++49(0)2735/777-0
telefax: ++49(0)2735/770-625
internet: www.fischbach-luft.de
email: info@fischbach-luft.de

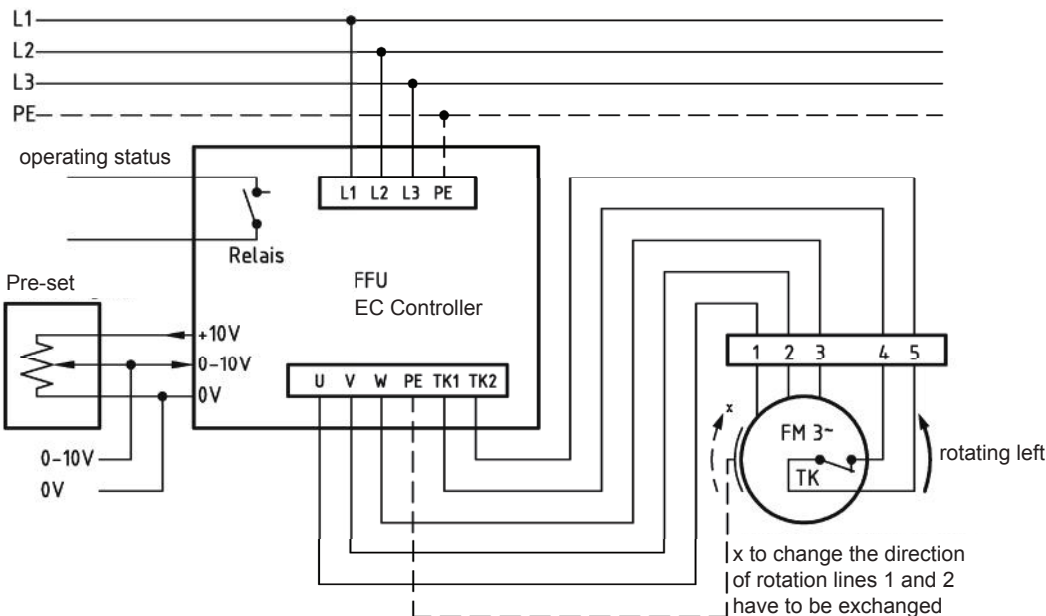
Technical Data

weight:	(kg)	60
material housing:		-
material impeller:		steel, galvanized
direction of rotation:		left/right
motor-protection class:		IP 65
insulation class:		F
motor protection:		thermal contact



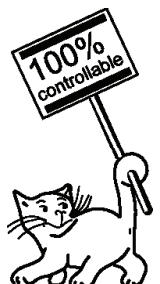
inlet: upon request

connection plan*
FFU-EC 400



* Connection only according to the enclosed technical documentation.

the silent one



Series: FREEWHEELING IMPELLER FLR

with backward curved blades

EC-MOTOR

FISCHBACH

Luft- und Ventilatorentechnik GmbH

Type: FLR630/DM2

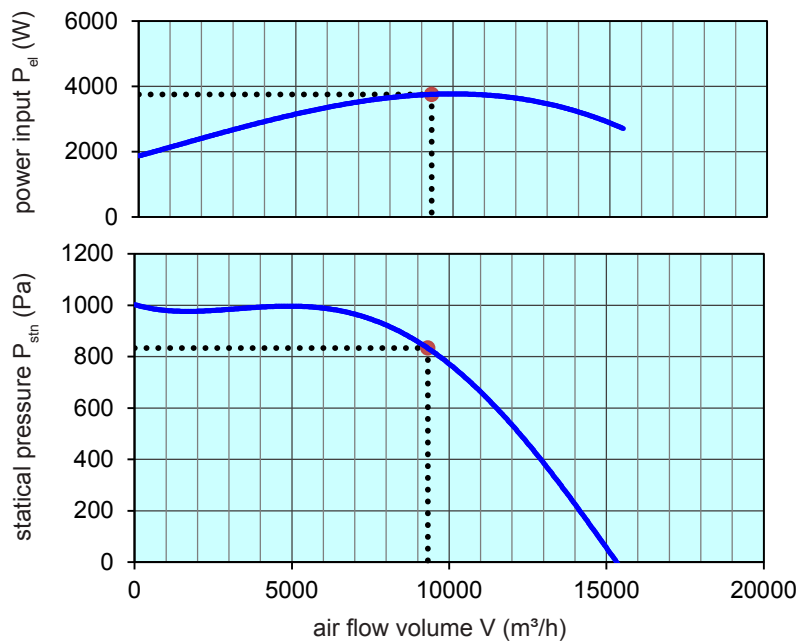
Erp 2013 2015 2018 x

Performance data

main voltage:	(V)	400 (3~)
frequency:	(Hz)	50
current max.:	(A)	7,7
power input max.:	(kW)	3,82
air flow volume max.:	(m³/h)	15425
statical pressure max.:	(Pa)	1010
speed max.:	(rpm)	1350
supply air temperature:	(°C)	-25... +60
capacitor:	(µF)	-

ErP-Data:

total efficiency fan (η_e):	(%)	60,3
installation category:		A
efficiency category:		static
efficiency grade: N	(%)	62
target efficiency (η_{target}):	(%)	57,5
speed controller		yes
year of manufacturing		since 2015
manufacturer:	Fischbach Luft- und Ventilatorentechnik GmbH D-57290 Neunkirchen / HRB 5804 Siegen	
order no. (left)		18126060
power input:	(kW)	3,75
air flow volume:	(m³/h)	9323
statical pressure:	(Pa)	833
speed:	(rpm)	1350
specific ratio:		1
disassembling/recycling/disposal: see page decommission		
installation/operation/maintenance: see operating and mounting instructions		
measurement for determination of efficiency without additional items		



control with	type	order-Nr.
FISCHBACH-frequency-converter	FFU3-21-4	63760
FISCHBACH-Pre-set 0-10V (optional accessories)	FS 10	69460

Technical documentation according to page: **General information**