

Series: FREEWHEELING IMPELLER FLR
with backward curved blades
EC-MOTOR

FISCHBACH
Luft- und Ventilatorentechnik GmbH

Type: FLR450/DM500

ErP KONFORM

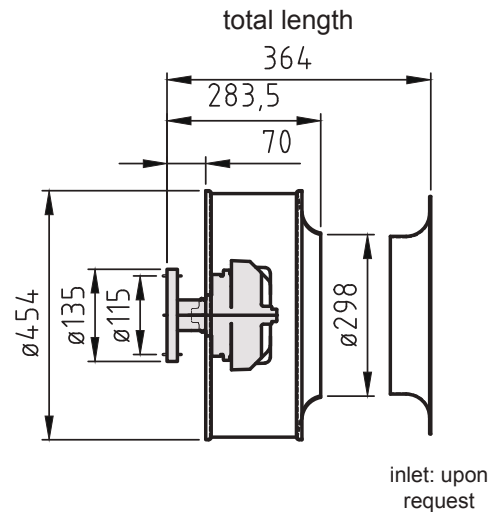


CE -conform

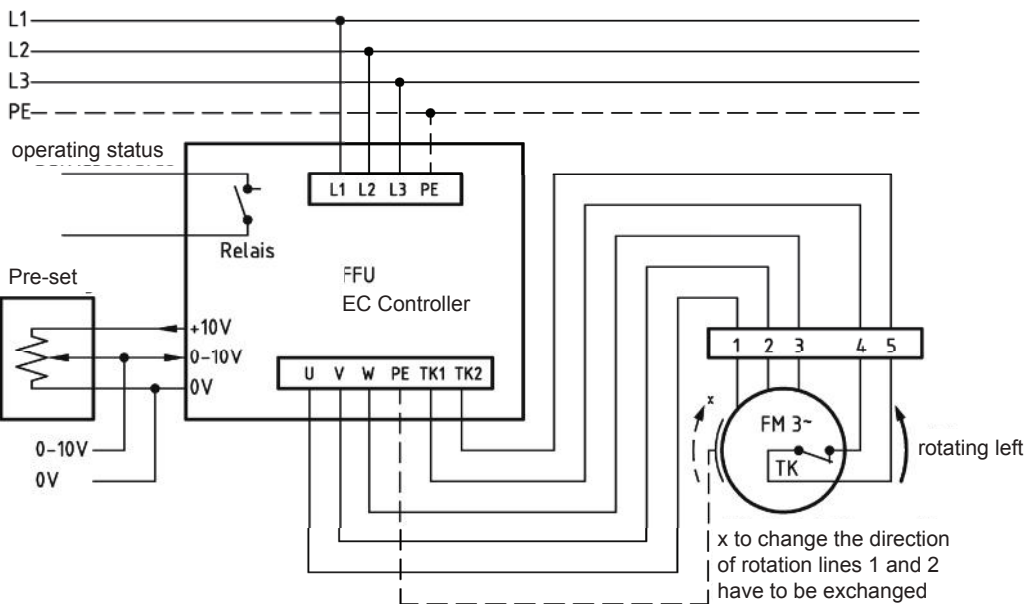
manufacturer:
Fischbach Luft- und Ventilatorentechnik GmbH
Am Hellerberg 22-24
D-57290 Neunkirchen
phone: ++49(0)2735/777-0
telefax: ++49(0)2735/770-625
internet: www.fischbach-luft.de
email: info@fischbach-luft.de

Technical Data

weight:	(kg)	25
material housing:		-
material impeller:		steel, galvanized
direction of rotation:		left/right
motor-protection class:		IP 65
insulation class:		F
motor protection:		thermal contact



connection plan*
FFU-EC 400



* Connection only according to the enclosed technical documentation.

the silent one



Series: FREEWHEELING IMPELLER FLR

with backward curved blades

EC-MOTOR

FISCHBACH

Luft- und Ventilatorentechnik GmbH

Type: FLR450/DM500

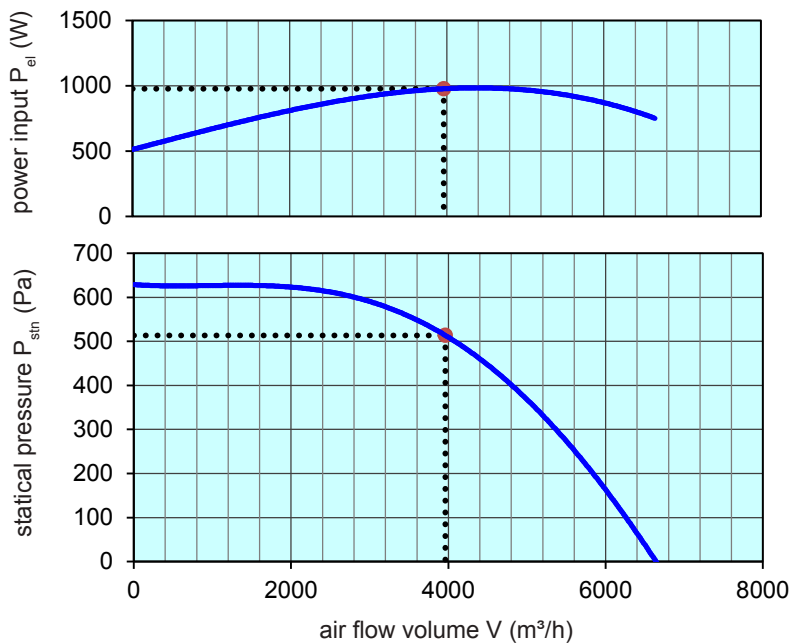
Erp 2013 2015 2018 x

Performance data

main voltage:	(V)	400 (3~)
frequency:	(Hz)	50
current max.:	(A)	2,3
power input max.:	(kW)	1,0
air flow volume max.:	(m³/h)	6650
statical pressure max.:	(Pa)	627
speed max.:	(rpm)	1500
supply air temperature:	(°C)	-25... +60
capacitor:	(µF)	-

ErP-Data:

total efficiency fan (η_e):	(%)	63,4
installation category:		A
efficiency category:		static
efficiency grade: N	(%)	62
target efficiency (η_{target}):	(%)	51,4
speed controller		yes
year of manufacturing		since 2015
manufacturer: Fischbach Luft- und Ventilatorentechnik GmbH D-57290 Neunkirchen / HRB 5804 Siegen		
order no. (left)		18126030
power input:	(kW)	0,97
air flow volume:	(m³/h)	3961
statical pressure:	(Pa)	513
speed:	(rpm)	1500
specific ratio:		1
disassembling/recycling/disposal: see page decommission		
installation/operation/maintenance: see operating and mounting instructions		
measurement for determination of efficiency without additional items		



control with	type	order-Nr.
FISCHBACH-frequency-converter	FFU3-21-1.5	63740
FISCHBACH-Pre-set 0-10V (optional accessories)	FS 10	69460

Technical documentation according to page: **General information**